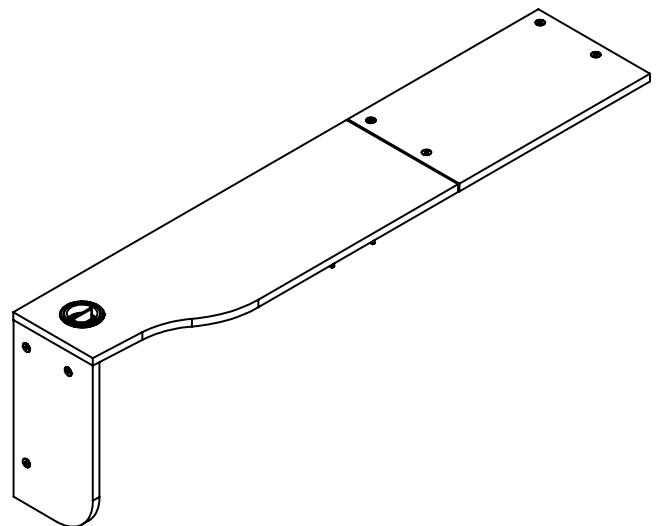
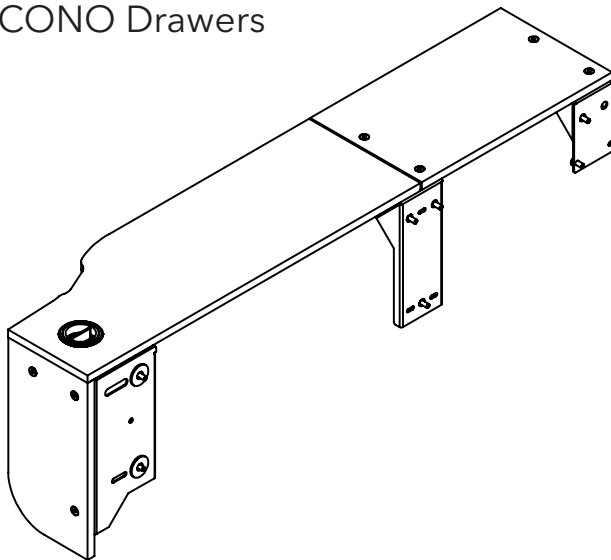


KUFU System Wing Kit, Install Guide.

Version: 01

Suitable for:
KUFU Premium Drawers
KUFU ECONO Drawers



Important Information:

- This Installation Instruction Guide is for the accurate, safe and secure attachment of Wing Kits to a KUFU Drawer.
- This install guide shows a 950 KUFU Wing Kit installed to a 280 x 950 KUFU Drawer.
- This installation shows the LC200 Variation of KUFU Wing Kit, your Wing Kit may be slightly different to suit your vehicle make and model.
- Wing Kit Assemblies will vary between Vehicle Make and Model variants.
- While every attempt has been made to match the Wing Kit design to the make and model, however vehicle variations often vary significantly between models.
- The plywood material of the KUFU Wing kit can be trimmed to suit any variation of the vehicle.
- Get in touch with us if you need a larger panel to customise your installation, simply refer to the panel name in your enquiry.
- Open all kits to check that all parts are present.
- Follow all assembly steps in this Instruction Manual.
- Do not skip steps.
- Do not leave out fastener components from the installation steps.
- DO NOT over tighten any fasteners.
- It is recommended to review the vehicle and crosscheck before making any modifications. Check to avoid damaging critical vehicle components within and beneath the vehicle.
- Always review the installation to ensure parts and assemblies are flat and aligned where possible.
- It is recommended to inform the insurance provider for the vehicle of any modifications and additions or accessories added to the vehicle, these may effect the ability to make claims depending on the level and or type of cover.
- The KUFU Drawer System and associated Mounting Platforms and Bracket Parts are

STEP 1 - Installation Preparation:

- Install KUFU Mounting Platforms and Drawers into the vehicle first.
- Always assemble Wing Kits to KUFU Drawers within the vehicle.

STEP 2 - Tools Required:

- Hex Drive or Allen Key Set
- Socket Set or Spanner Set

STEP 3 - Components:

- Wing Kit

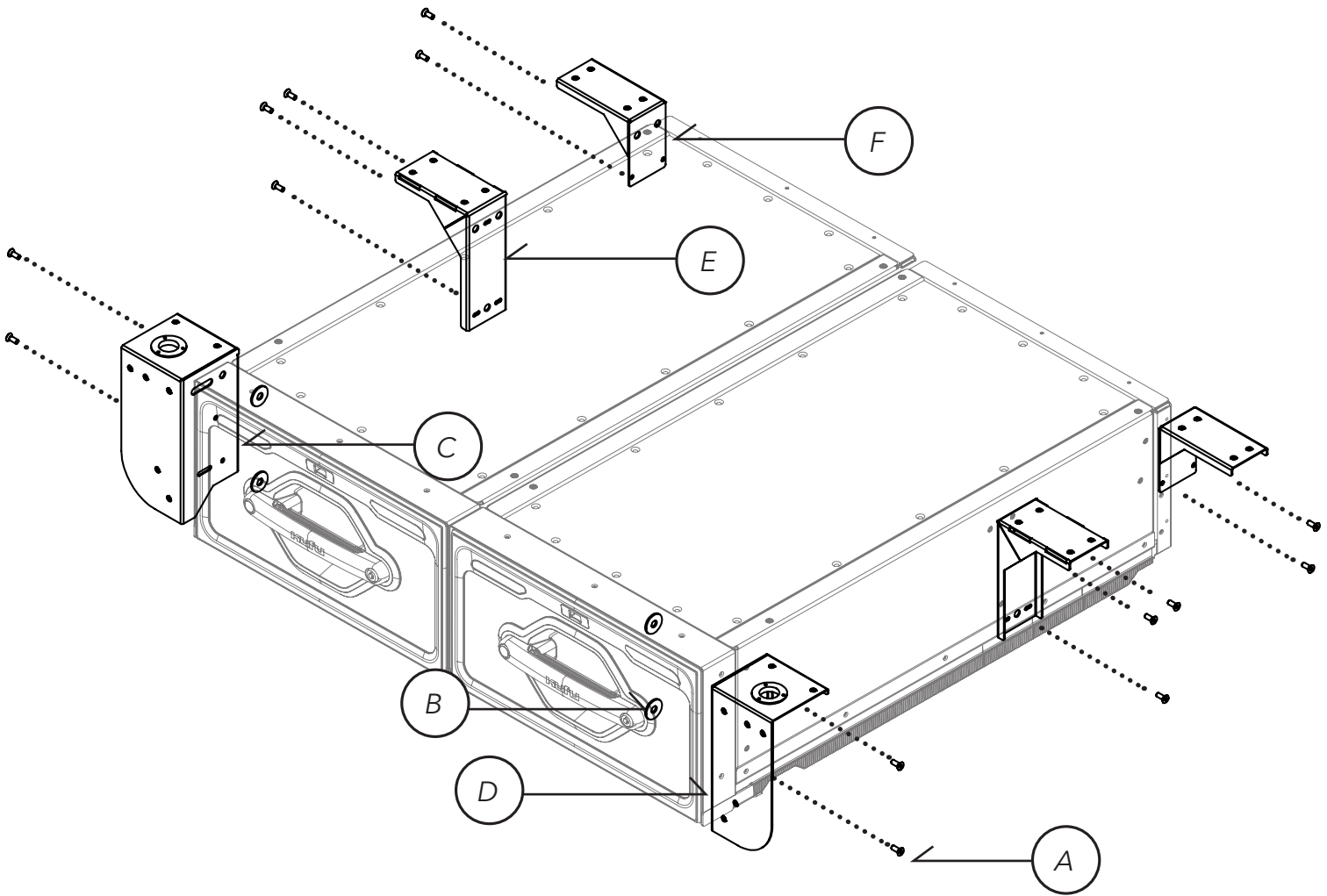
Part Name	Quantity
512 Wing Kit Front Panel LHS_(Make /Model)	1
490 Wing Kit Front LHS Top Panel_950_(Make /Model)	1
492 Wing Kit Back Panel LHS 950_(Make /Model)	1
514 Wing Kit Front Panel RHS_(Make /Model)	1
513 Wing Kit Front RHS Top Panel_(Make /Model)	1
492 Wing Kit Back Panel LHS 950_(Make /Model)	1
486 Wing Kit LHS Face	1
506 Wing Kit RHS Face	1
487 Wing Kit Mid Bracket	2
488 Wing Kit Back Bracket	2
M6 x 20mm SS304 CSK	14

- Wing Kit ECONO Fasteners

Part Name	Quantity
M6 x 16mm SS304 CSK	14
M10 Washer Large SS304	4

- Wing Kit PREMIUM Fasteners

Part Name	Quantity
M8 x 16mm SS304 BTN	8
M10 Spring Washer SS304	24
M4 x 10mm SS304 BTN	4
L-Track Nut M8	8

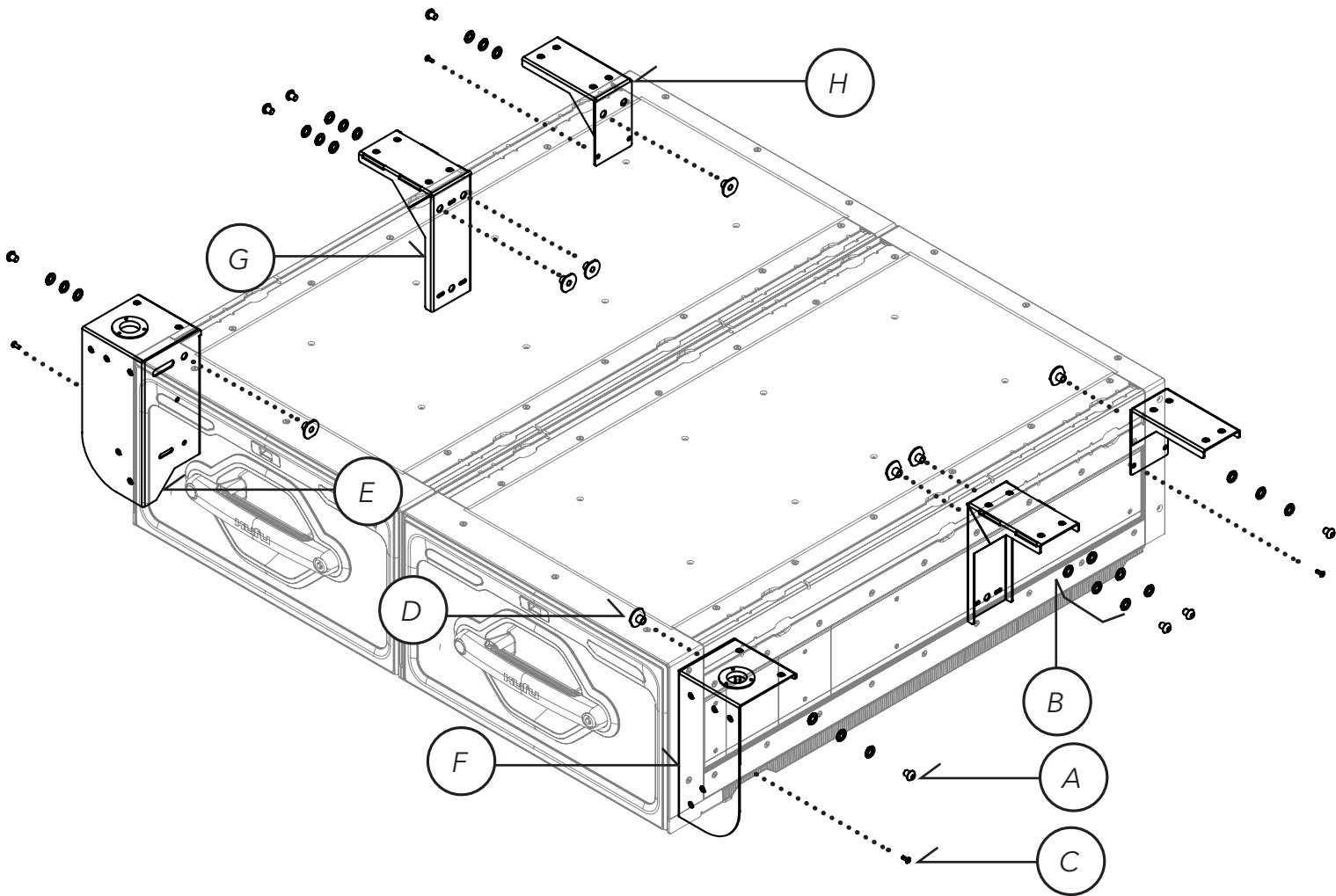


STEP 4 - ECONO Wing Kit Bracket Assembly:

- Securely Assemble the Wing Kit Brackets to the ECONO Drawer

Part Name	Quantity	Item
M6 x 16mm SS304 CSK	14	A
M10 Washer Large SS304	4	B
486 Wing Kit LHS Face	1	C
506 Wing Kit RHS Face	1	D
487 Wing Kit Mid Bracket	2	E
488 Wing Kit Back Bracket	2	F

- NOTE: Washer, Item B, to be positioned on the outside surface of the ECONO Drawer to ensure Brackets are parallel to the outer face of the ECONO Drawer.

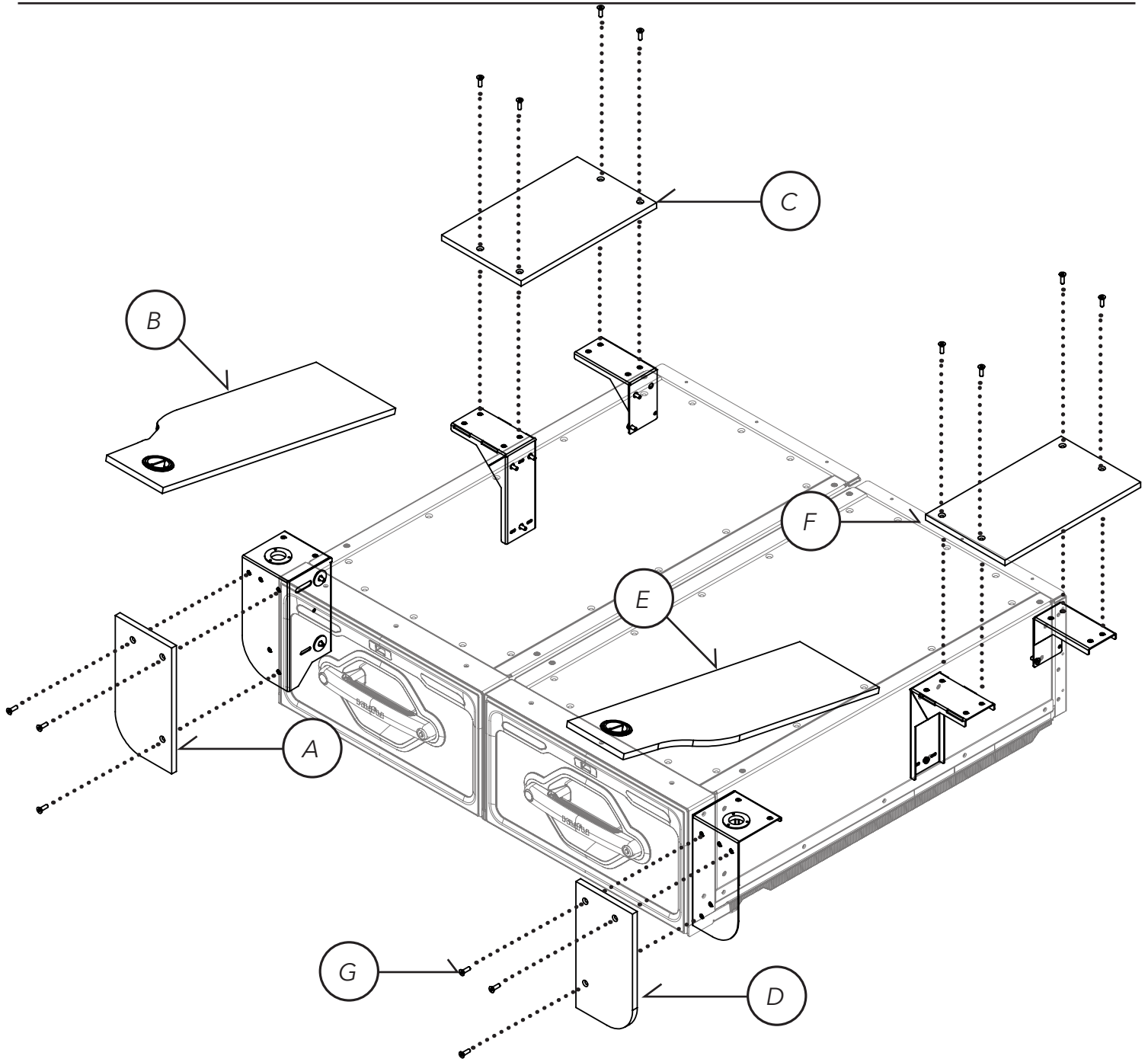


STEP 4 - PREMIUM Wing Kit Bracket Assembly:

- Securely Assemble the Wing Kit Brackets to the ECONO Drawer

Part Name	Quantity	Item
M8 x 16mm SS304 BTN	8	A
M10 Spring Washer SS304	24	B
M4 x 10mm SS304 BTN	4	C
L-Track Nut M8	8	D
486 Wing Kit LHS Face	1	E
506 Wing Kit RHS Face	1	F
487 Wing Kit Mid Bracket	2	G
488 Wing Kit Back Bracket	2	H

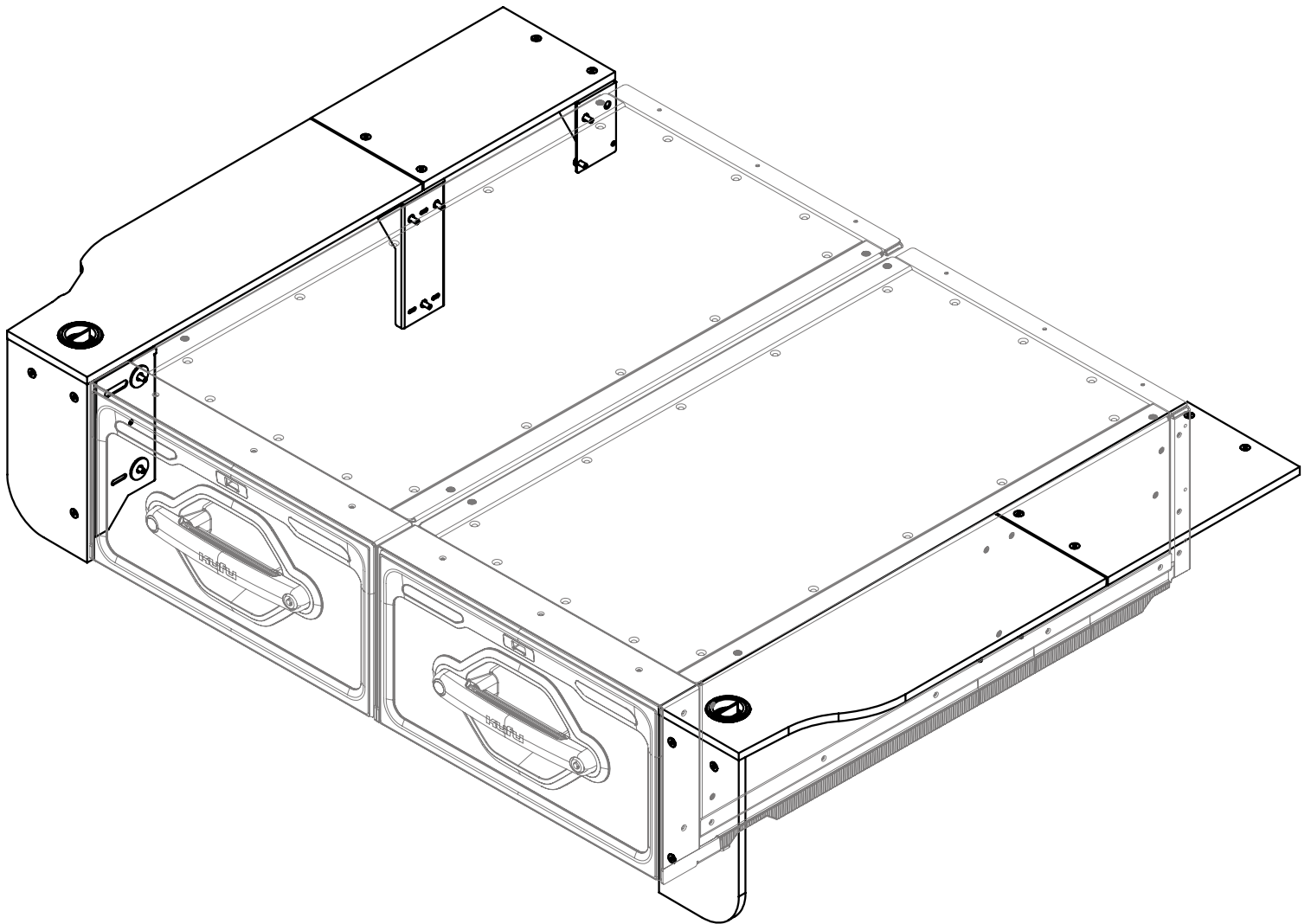
- NOTE: M10 Spring Washers, Item B, stack 3x over the L-Track Nut M8
- NOTE: Each L-Track Nut M8, Item D, is pre-assembled into the side L-Track of the Premium Drawer Rails. Ensure the L-Track is free of dust and dirt or debris, to allow smooth travel of the Nut.



STEP 5 - Wing Kit Panel Assembly:

- Securely Assemble the Wing Kit Panels to the Brackets

Part Name	Quantity	Item
512 Wing Kit Front Panel LHS_(Make /Model)	1	A
490 Wing Kit Front LHS Top Panel_950_(Make /Model)	1	B
492 Wing Kit Back Panel LHS 950_(Make /Model)	1	C
514 Wing Kit Front Panel RHS_(Make /Model)	1	D
513 Wing Kit Front RHS Top Panel_(Make /Model)	1	E
492 Wing Kit Back Panel LHS 950_(Make /Model)	1	F
M6 x 20mm SS304 CSK	14	G



NOTE - Wing Kit Assembly:

- Wing Kit Assemblies will vary between Vehicle Make and Model variants.
- While every attempt has been made to match the Wing Kit design to the vehicle make and model please note that vehicle variations often vary significantly between models.
- The plywood material of the KUFU Wing kit can be trimmed to suit any variation of the vehicle.
- Get in touch with us if you need a larger panel to customise your installation, simply refer to the Panel name and let us know.



KUFU Drawer System

Designed and Developed in Australia

Impact Import Group Pty. Ltd
153 Ash Road
Leopold, VIC 3224