



# Installation Instruction Manual

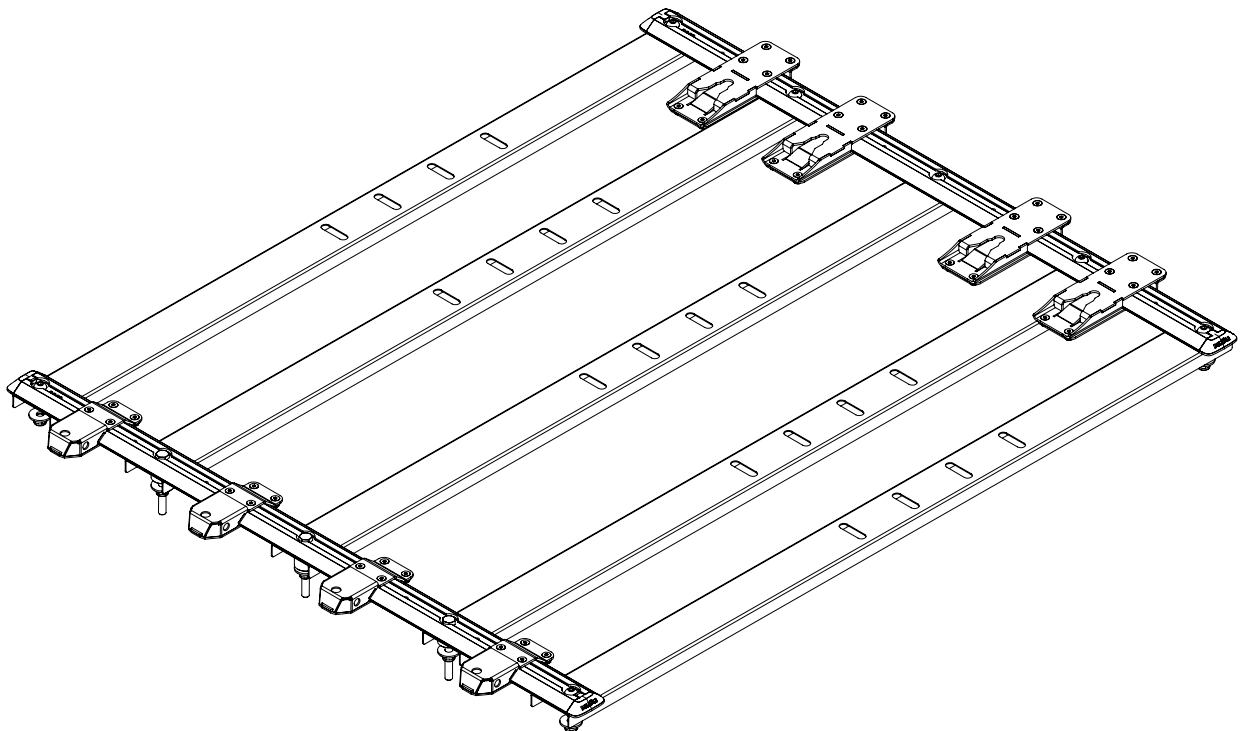
---

## 1400 Mounting Platform with Catch-And-Click Brackets

Version: 01

APPLICABLE VEHICLES:

- Mitsubishi Triton MY20 MR GLS



### *Important Information:*

- This Installation Instruction Manual is for the accurate, safe and secure attachment of the 1400 Mounting Platform, and Catch and Click Brackets to the vehicle.
- Open all kits to check that all parts are present.
- Follow all assembly steps in this Instruction Manual.
- It is recommended to review the vehicle and crosscheck before making any modifications. Check to avoid damaging critical vehicle components beneath the ute tub bed before drilling pilot holes or larger through holes.
- Aftermarket tub-liners can vary significantly between vehicles of the same model. The KUFU Mounting Platform should be securely attached to the steel floor of the ute tub. Removing some of the tub liner material allows space needed to raise and level the Mounting Platform above different liner profiles. Follow this manual to remove the bed-liner around the bolt locations to allow for a level and safe installation.
- The KUFU System Products require a level assembly for secure and easy installation.
- Bed-liners and roller-covers can remain in the ute tub. However, please check to ensure the KUFU Drawer System to-be installed is suitable and will not interfere with these type of accessories. Please double check the available ute bed height before proceeding with the installation.
- Some ute tubs have different supporting channels beneath the tub floor, these run laterally across the tub. If the pilot holes and subsequent through holes are positioned on top of these channel areas, longer bolts and crush tubes may be required to support the tightening of fasteners to secure the Mounting Platform without crushing the channel of the ute tub.
- When installing a crush tube, bore out the upper through hole to allow the crush tube to drop into the channel beneath.
- It is recommended to inform the insurance provider for the vehicle of any modifications and additions or accessories added to the vehicle, these may effect the ability to make claims depending on the level and or type of cover.
- The KUFU Drawer System and associated Mounting Platforms and Bracket Parts are designed for repeated use. However wear and tear will occur due to the nature of different materials in the assemblies and installations.

**STEP 1 - Installation Preparation:**

1. Remove all unattached items from the ute bed.
2. Clean the ute bed.

**STEP 2 - Tools Required:**

- Hex Drive or Allen Key Set
- Socket Set or Spanner Set
- Powered Drill
- Drill Bits up to 10mm
- Marker - Not black
- Utility Knife
- Tape Measure
- 50mm Hole-saw

**STEP 3 - Unpack Mounting Platform:**

Check the Contents of Each Kit

- B0031 Mounting Platform 1400

Part Name	Quantity
B302 Mounting Rail TG	2
B170 Platform Rail Bracket	5
B403 Mounting Rail End Cap_Long	4

- B0031 Fastener Pack - Mounting Platform 1400

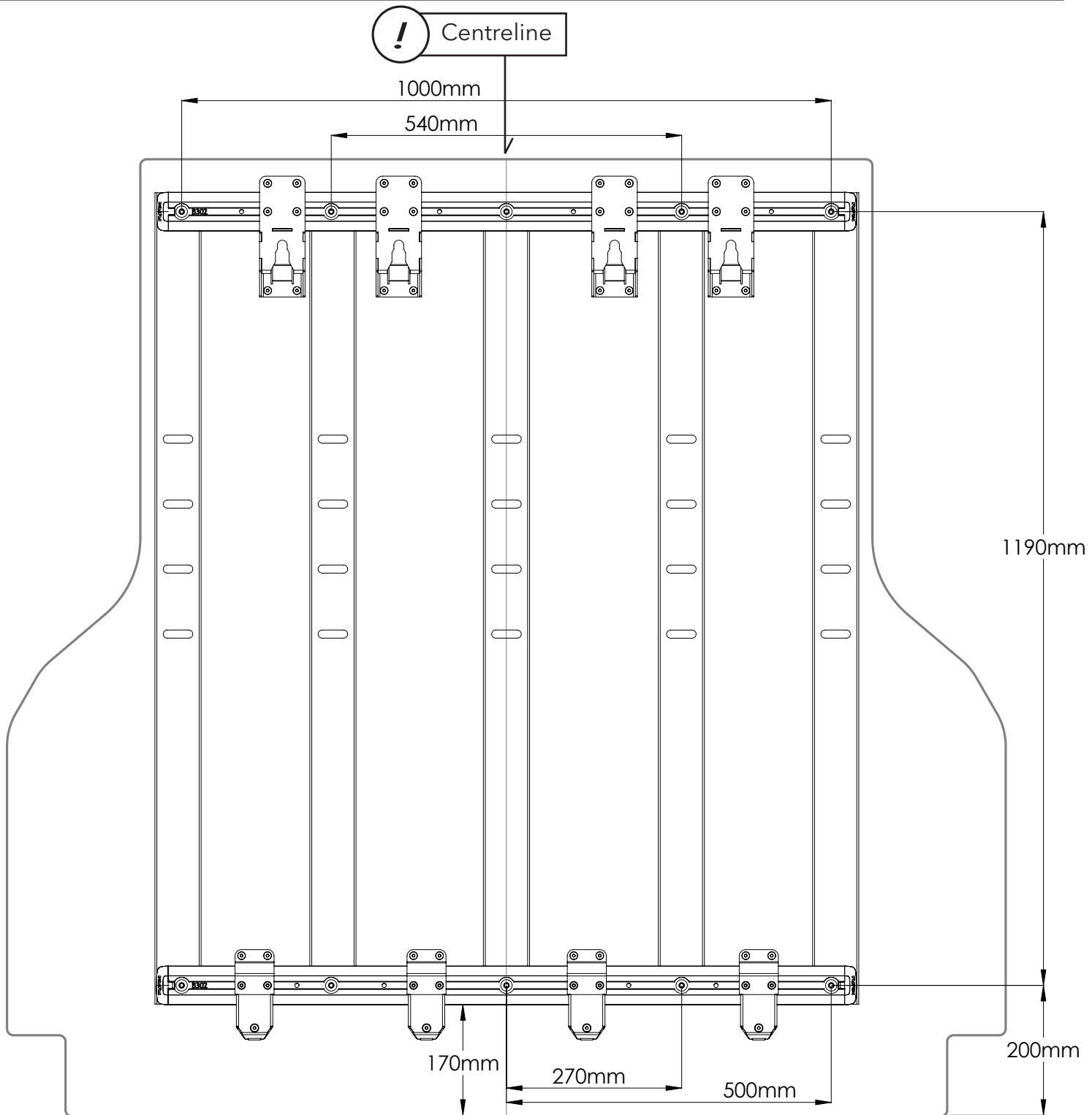
Part Name	Quantity
M10 x 60_Button Head Bolt	10
M10_Nut_Torque_SS304_DIN 985	10
10mm_Washer_Large_SS304_DIN 9021	10
M10 x 90mm Hex Bolt	5
M10 x 20mm Button head Bolt	2
Packing Disc 30mmOD x 20mm BK	2
Packing Disc 30mmOD x 10mm BK	14

- B0093 Combined Mounting Bracket Kit (Contents per Kit)

Part Name	Quantity
B0092 Click Bracket Assembly	2
B0090 Catch Bracket Assembly	2

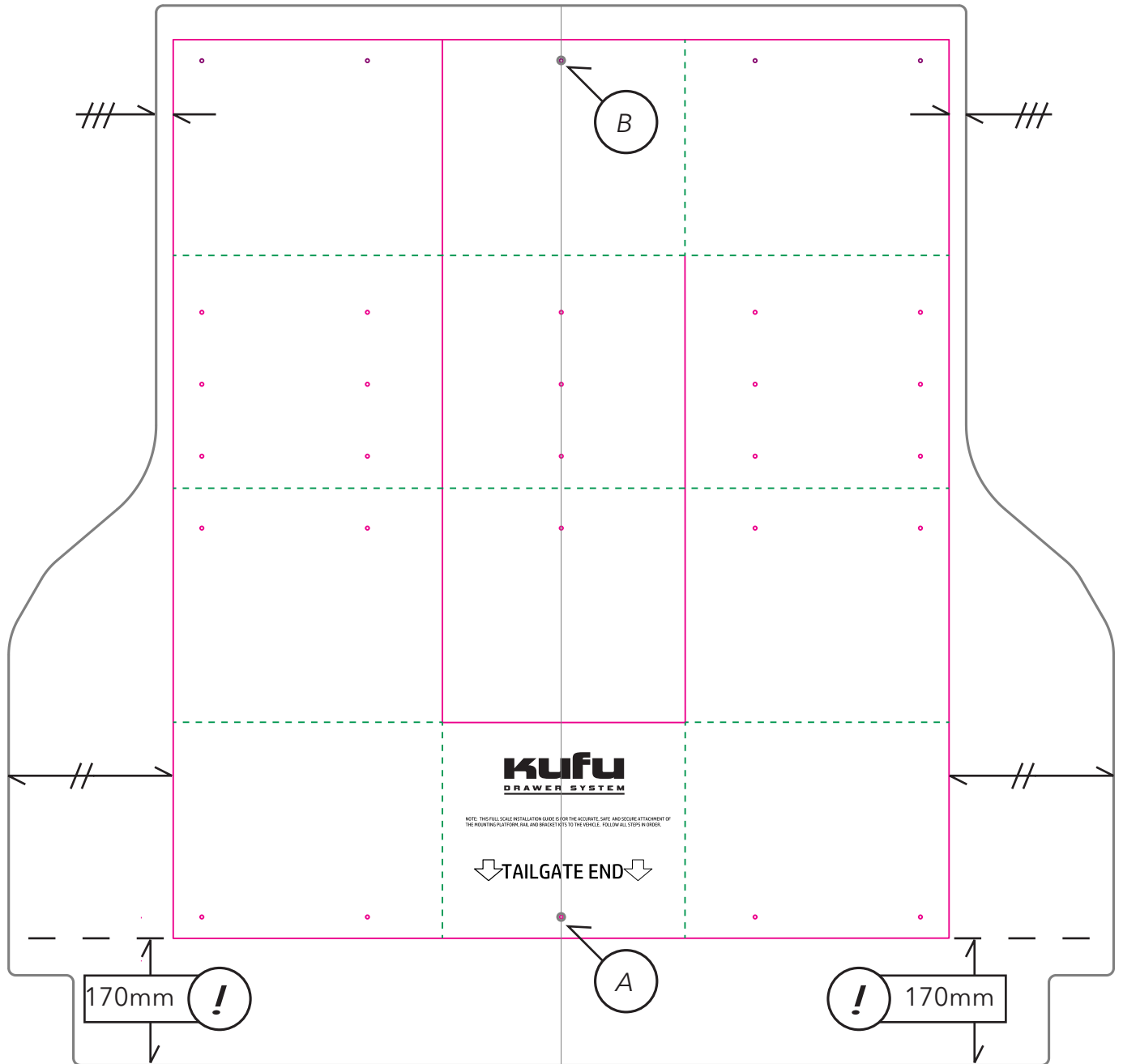
- B0093 Fastener Pack - Combined Mounting Bracket Kit (Contents per Kit)

Part Name	Quantity
M6 Nut_Conelock_High Tensile Class 10_ZN_DIN980	22
M6 x 12_CTSK_High Tensile 12.9_ZN_BK_DIN7991	14
M6 x 30_CTSK_High Tensile 12.9_ZN_BK_DIN7991	8



**STEP 4 - Layout for Reference:**

- Above is a plan view layout of the finished assembly for reference.
- The assembly is shown in a vehicle ute / truck bed outline for reference.
- Note the centreline of the vehicle aligns with the centre of the 1400 Mounting Platform.
- There is additional space allowed at the tailgate of the ute bed for the installation of the drawer system and clearance for the closing tailgate.

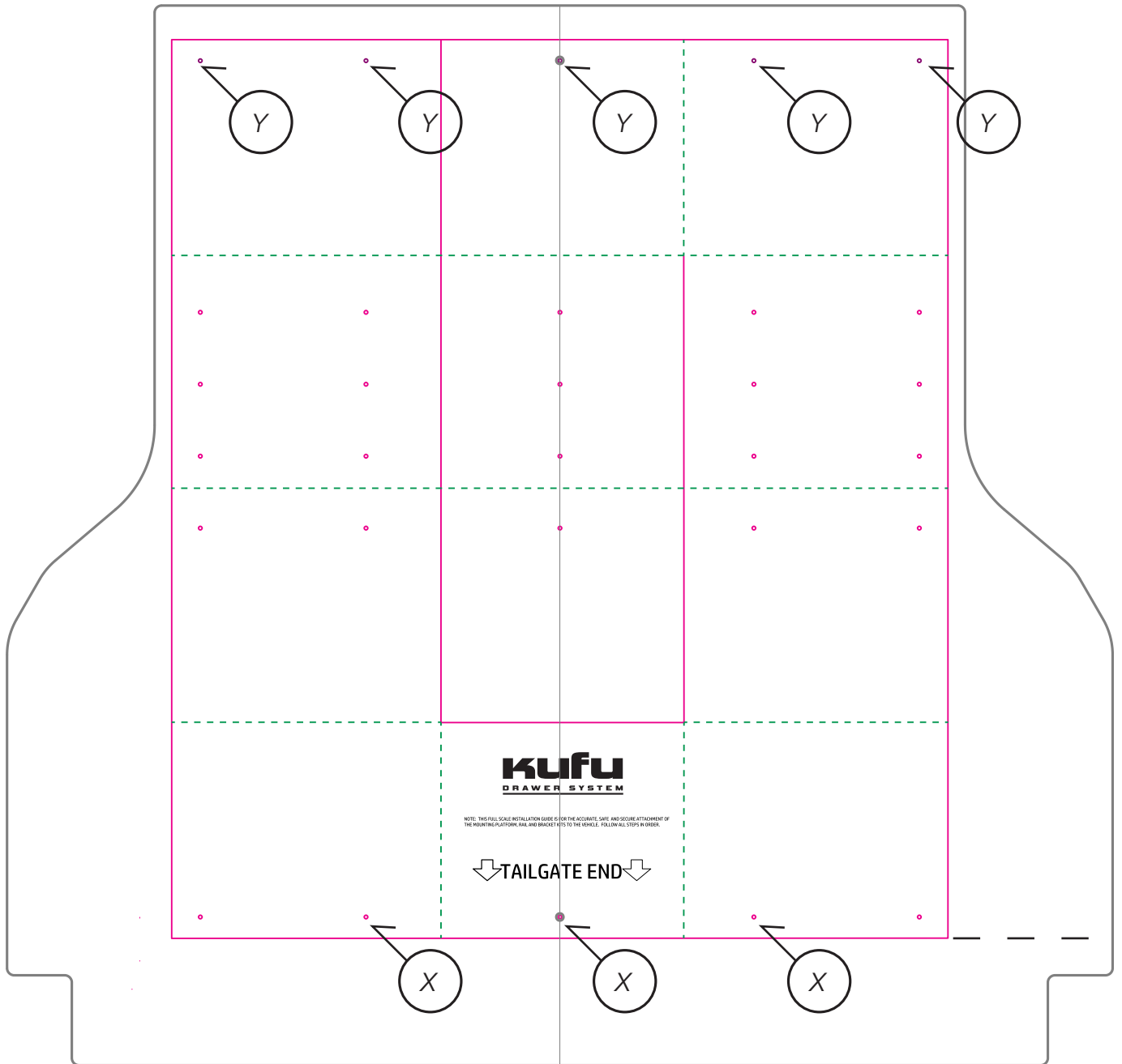


### STEP 5 - Template Guide Position, Tailgate:

- Carefully unfold the KUFU Template Guide into the ute bed, with the tailgate end of the Guide at the tailgate end of the ute bed.
- Measure from the Tailgate floor edge to ensure correct measurements.
- Measure and position the Guide 170mm from the inside of the Tailgate
- Ensure the Guide is parallel with the Tailgate.

### STEP 6 - Template Guide Position, Centreline:

- Measure and align the guide to be centred in the ute bed tub.
- Measure each side from the edge of the Guide to the side of the ute tub.
- Cross-check with measurements from the tub side to the centre hole of the Guide at positions A and B, shown above.



### STEP 7 - Mark the Hole Positions:

- Accurately mark the holes shown above at positions X and positions Y
- Do not move the Template Guide.

Tip: Use adhesive tape to prevent the Guide from moving.

NOTE: The hole positions shown above are required for Australian Design Rules Compliance.

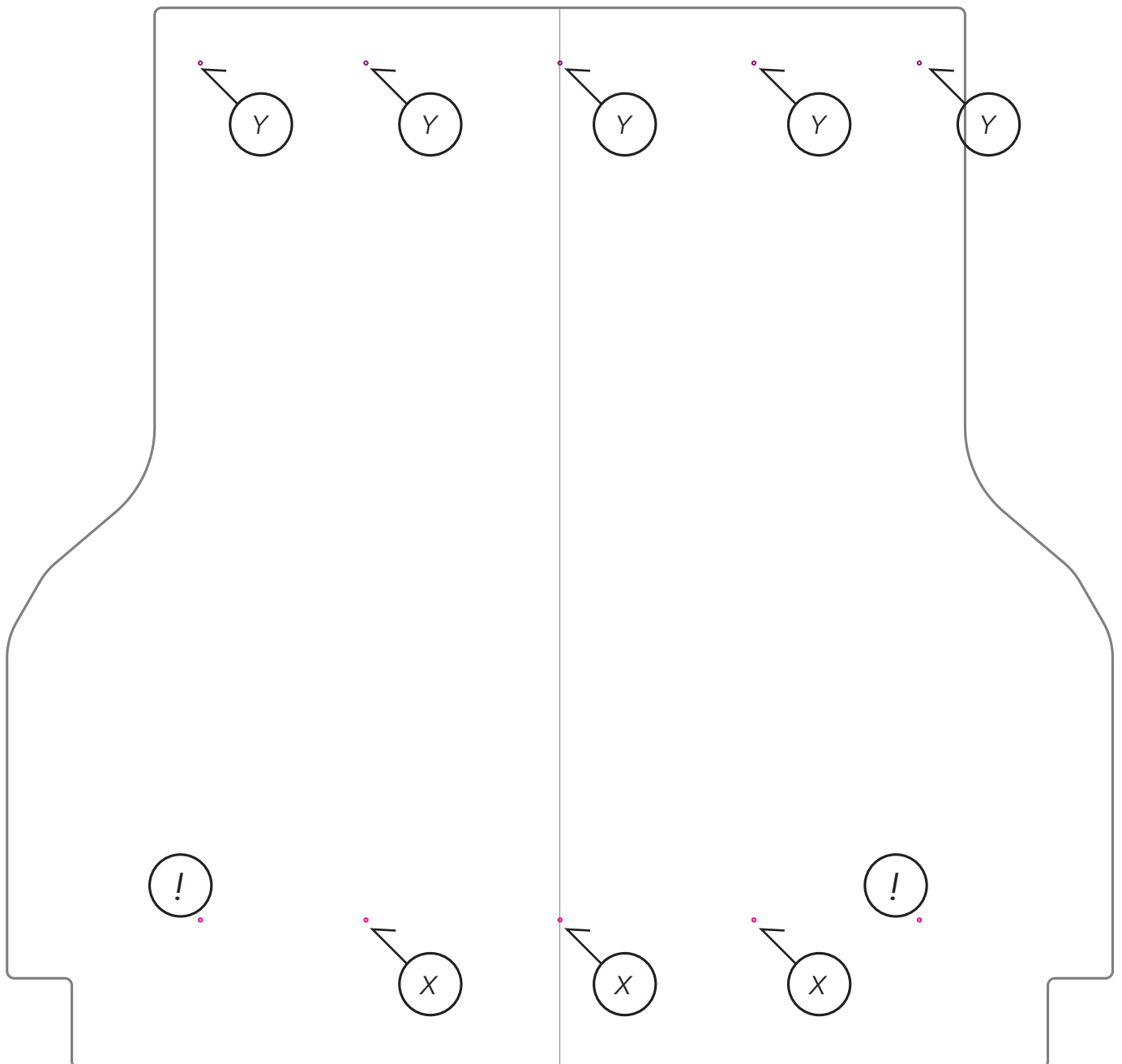
Further hole positions may be required if the installation requires Short Drawer Mounting Rails.



NOTE: Check underneath the ute tub to avoid damaging critical vehicle components before drilling pilot holes or larger through holes.

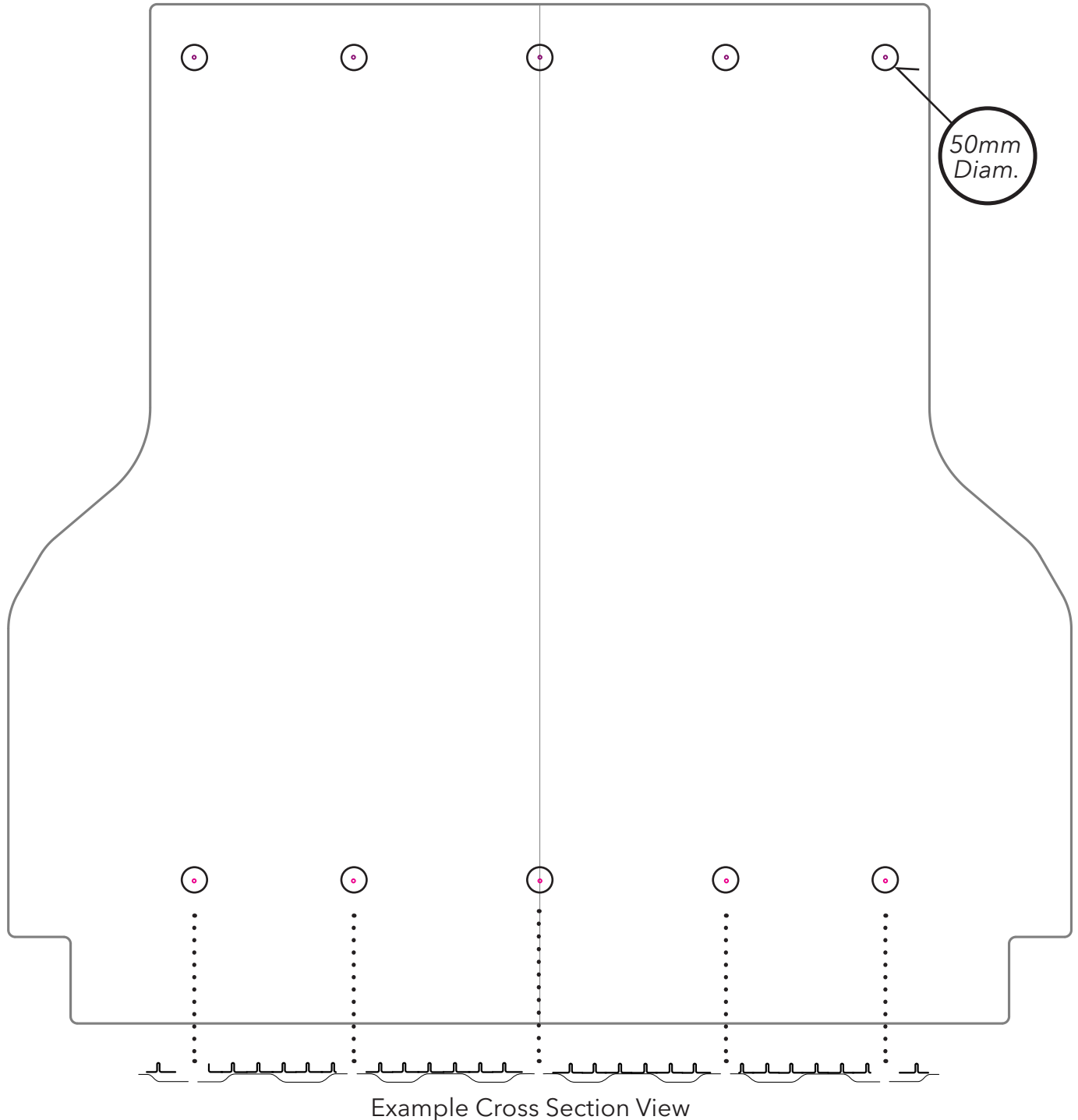
*STEP 8 - Drill the Pilot Hole Positions:*

- Remove and carefully fold up the KUFU Template Guide
- Drill a small pilot hole in the marked positions X and Y shown above.
- Do not drill the 2 outer most positions at the tailgate end.



**STEP 9 - Hole-Saw the Bed Liner:** Skip this step if no bed liner is fitted

- Saw 50mm holes through the bed liner material only at the pilot hole locations.
- Do not hole-saw the ute tub steel floor.



**NOTE:** Tub-liners can vary significantly. The KUFU Mounting Platform should be securely attached to the steel floor of the ute tub. Removing the tub liner material allows space needed to raise and level the Mounting Platform above different liner profiles.

- Use Spacer Disc parts provided to create a level installation in the next steps.
- Skip this step if no bed liner is fitted



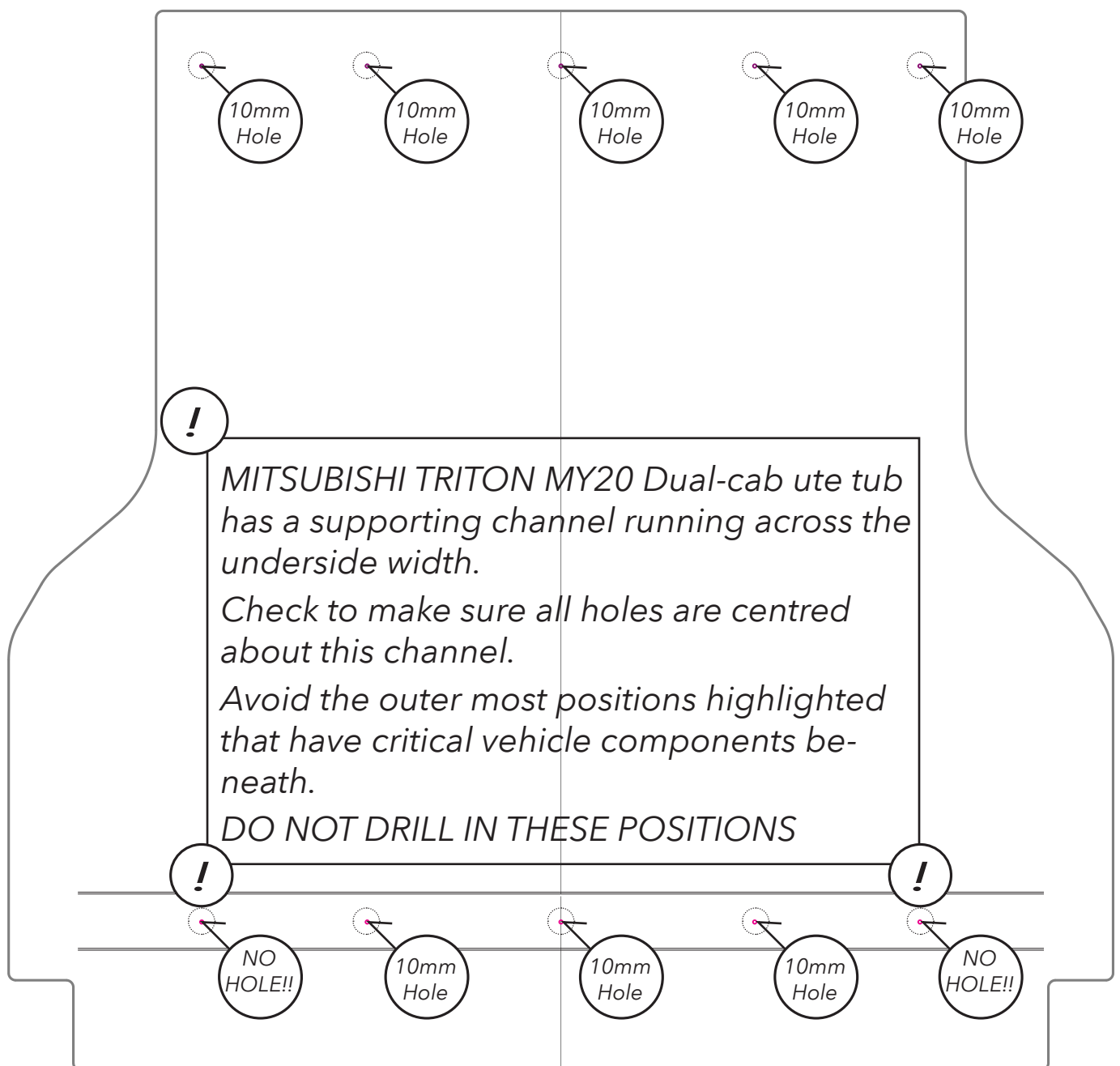
## STEP 10 - Drill the through Holes:

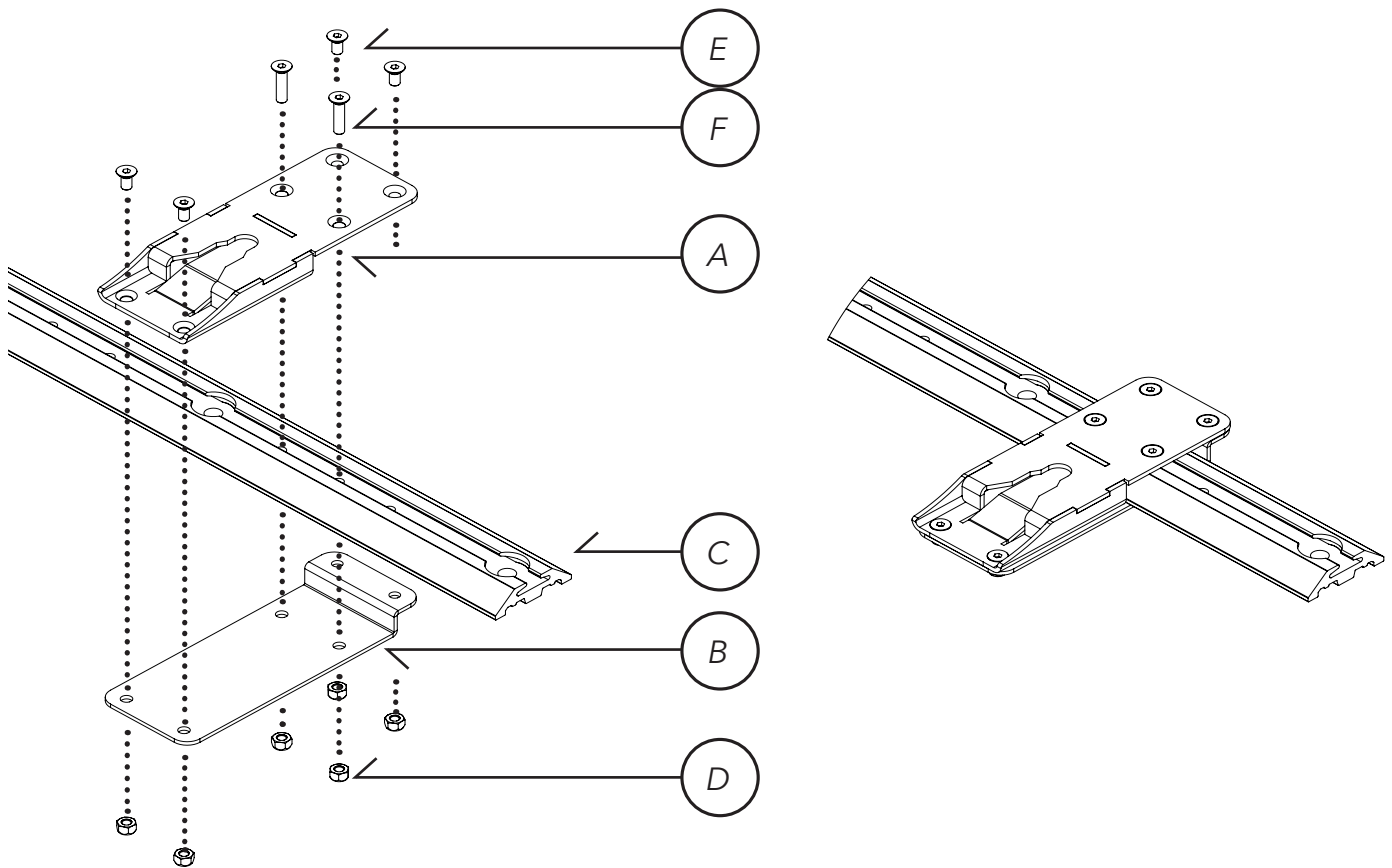


NOTE: Check underneath the ute tub thoroughly to avoid damaging critical vehicle components before drilling holes.

- Drill a 10mm through hole in the pilot hole positions from previous step.

TIP: Use a step-drill instead of a twist drill bit if there is critical vehicle components beneath a hole position. A step-drill is shorter and will not protrude as far through the hole as a twist drill bit that can potentially cause damage.





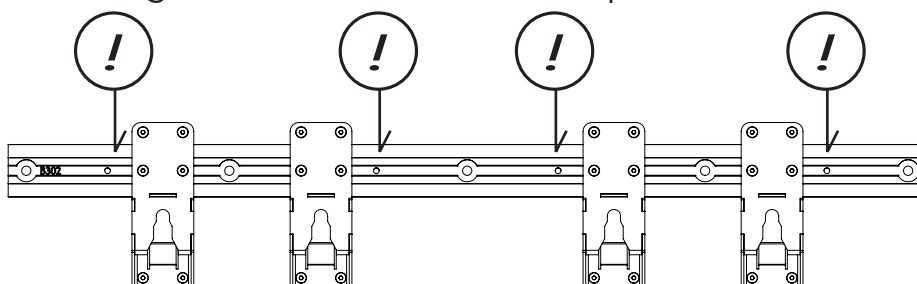
**STEP 11 - Catch Brackets Assembly:**

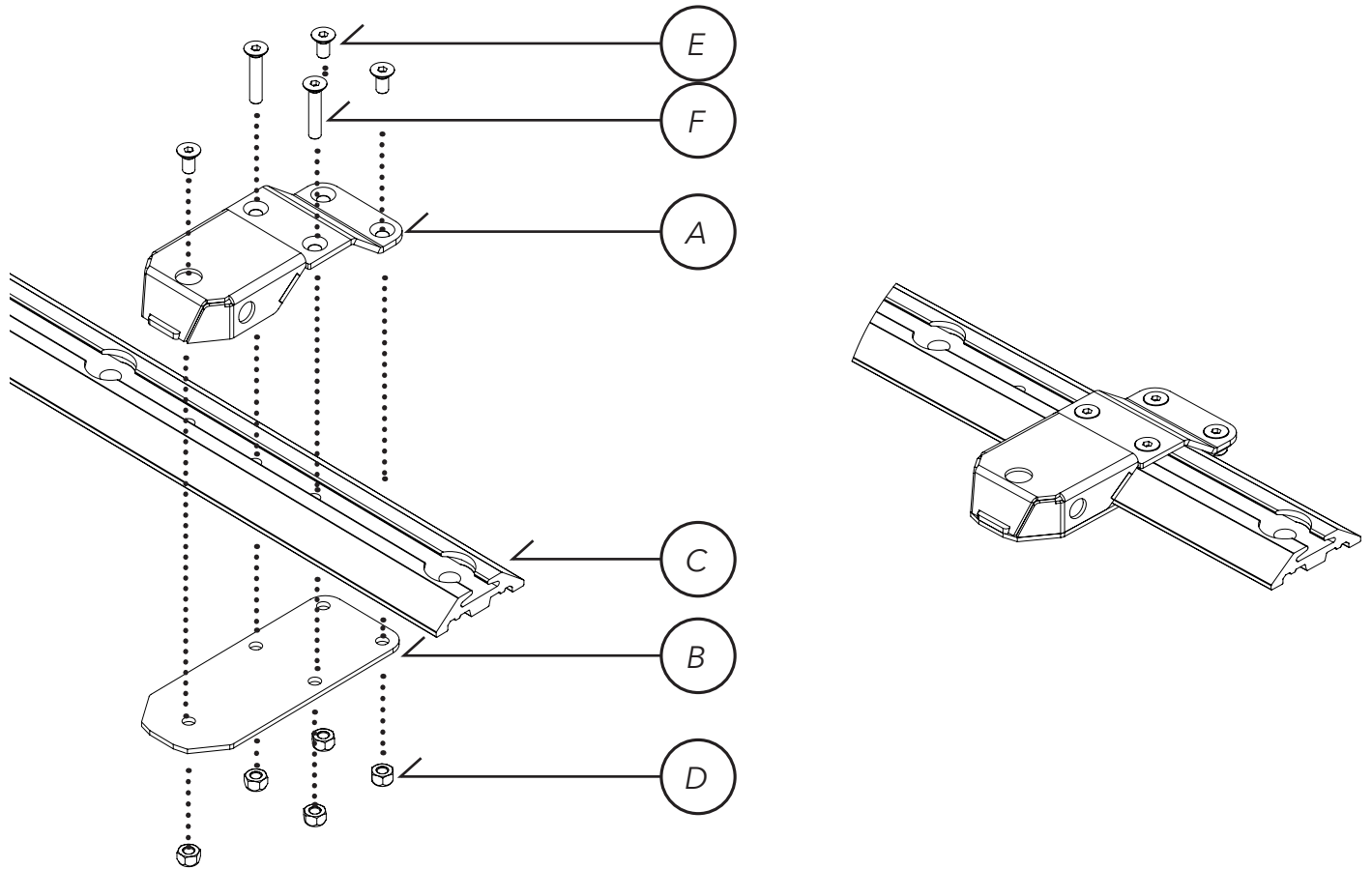
- Securely Assemble the Catch Brackets to the B302 Rail
- Catch Bracket, Single Assembly shown above in exploded view.

Part Name	Quantity	Item
Catch Bracket, Upper	1	A
Catch Bracket, Lower	1	B
B302 Rail	1	C
M6 Nut_Conelock_High Tensile Class 10_ZN_DIN980	6	D
M6 x 12_CTSK_High Tensile 12.9_ZN_BK_DIN7991	4	E
M6 x 30_CTSK_High Tensile 12.9_ZN_BK_DIN7991	2	F

- Check and ensure all brackets are 90degrees to the rail.
- Tighten the Catch Bracket Assembly in all positions shown below. Use hand tools to securely tighten all fasteners.

NOTE: The Catch Brackets use 2 of 3 holes along the rail in each position, note the remaining holes as a guide of the Catch Bracket positions.





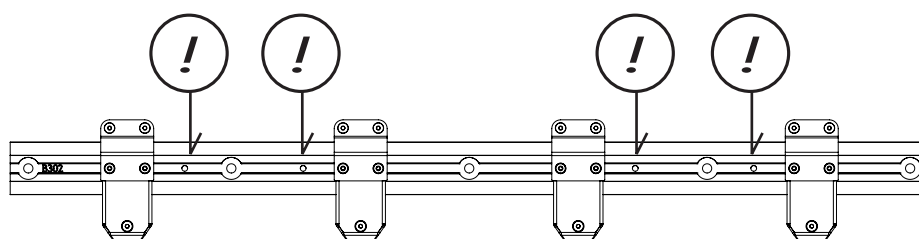
**STEP 12 - Click Brackets Assembly:**

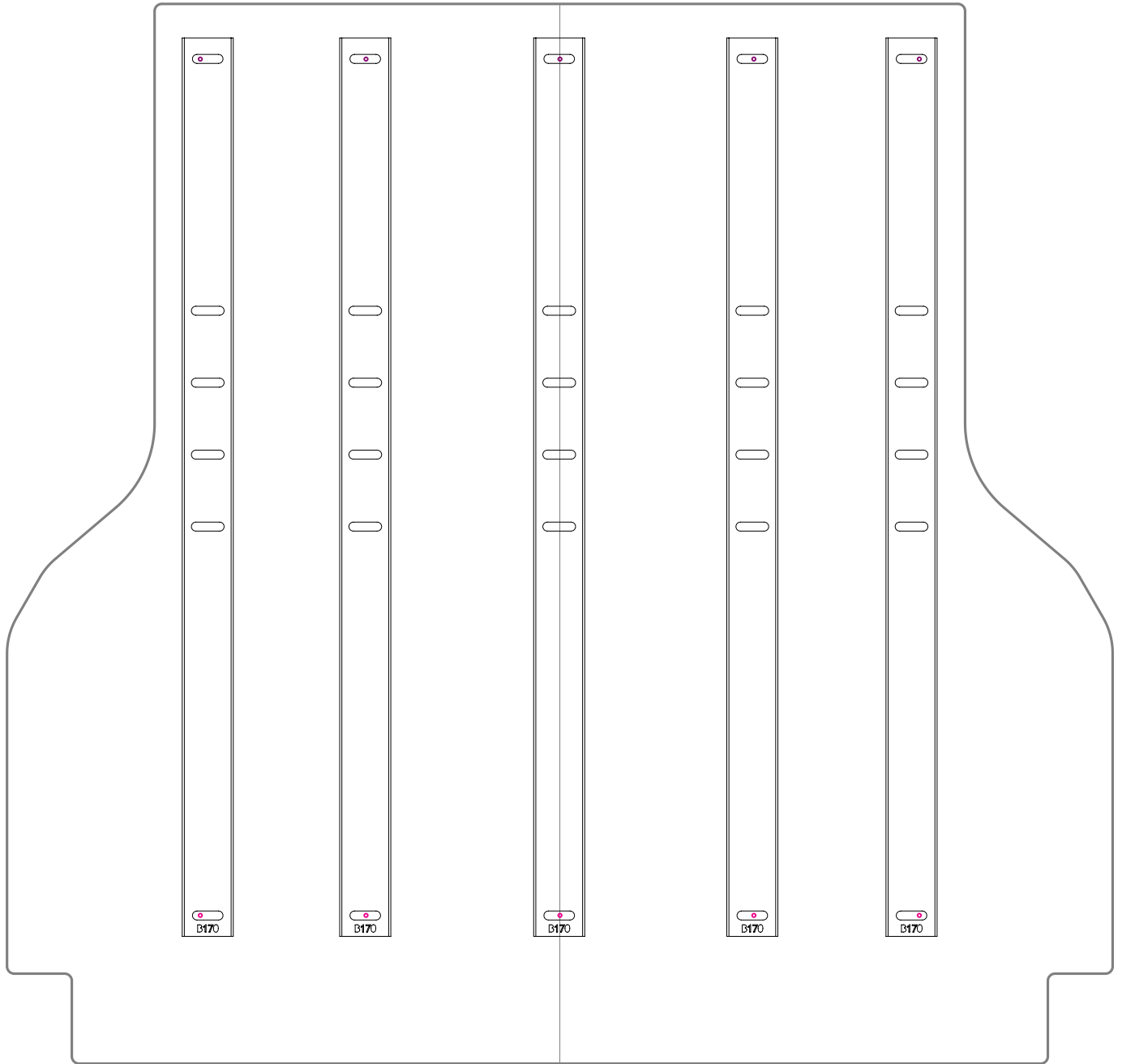
- Securely Assemble the Click Brackets to the B302 Rail
- Catch Bracket, Single Assembly shown above in exploded view.

Part Name	Quantity	Item
Click Bracket, Upper	1	A
Click Bracket, Lower	1	B
B302 Rail	1	C
M6 Nut_Conelock_High Tensile Class 10_ZN_DIN980	5	D
M6 x 12_CTSK_High Tensile 12.9_ZN_BK_DIN7991	3	E
M6 x 30_CTSK_High Tensile 12.9_ZN_BK_DIN7991	2	F

- Check and ensure all brackets are 90degrees to the rail.
- Tighten the Click Bracket Assembly in all positions shown below. Use hand tools to securely tighten all fasteners.

NOTE: The Click Brackets use 2 of 3 holes along the rail in each position, note the remaining holes as a guide of the Click Bracket positions.

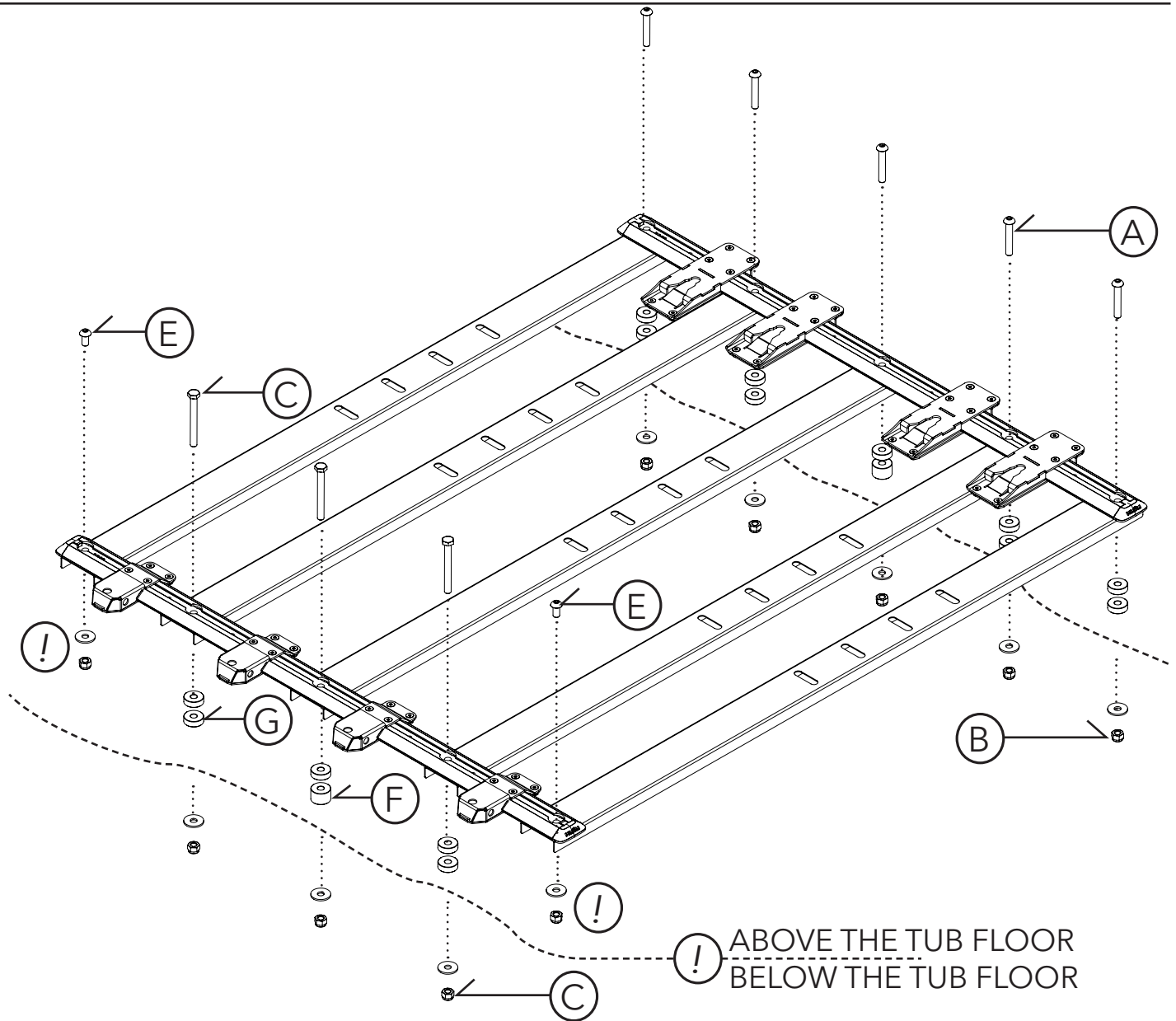




### STEP 13 - Layout the Rails:

- Arrange the B170 Rails in position over the holes.

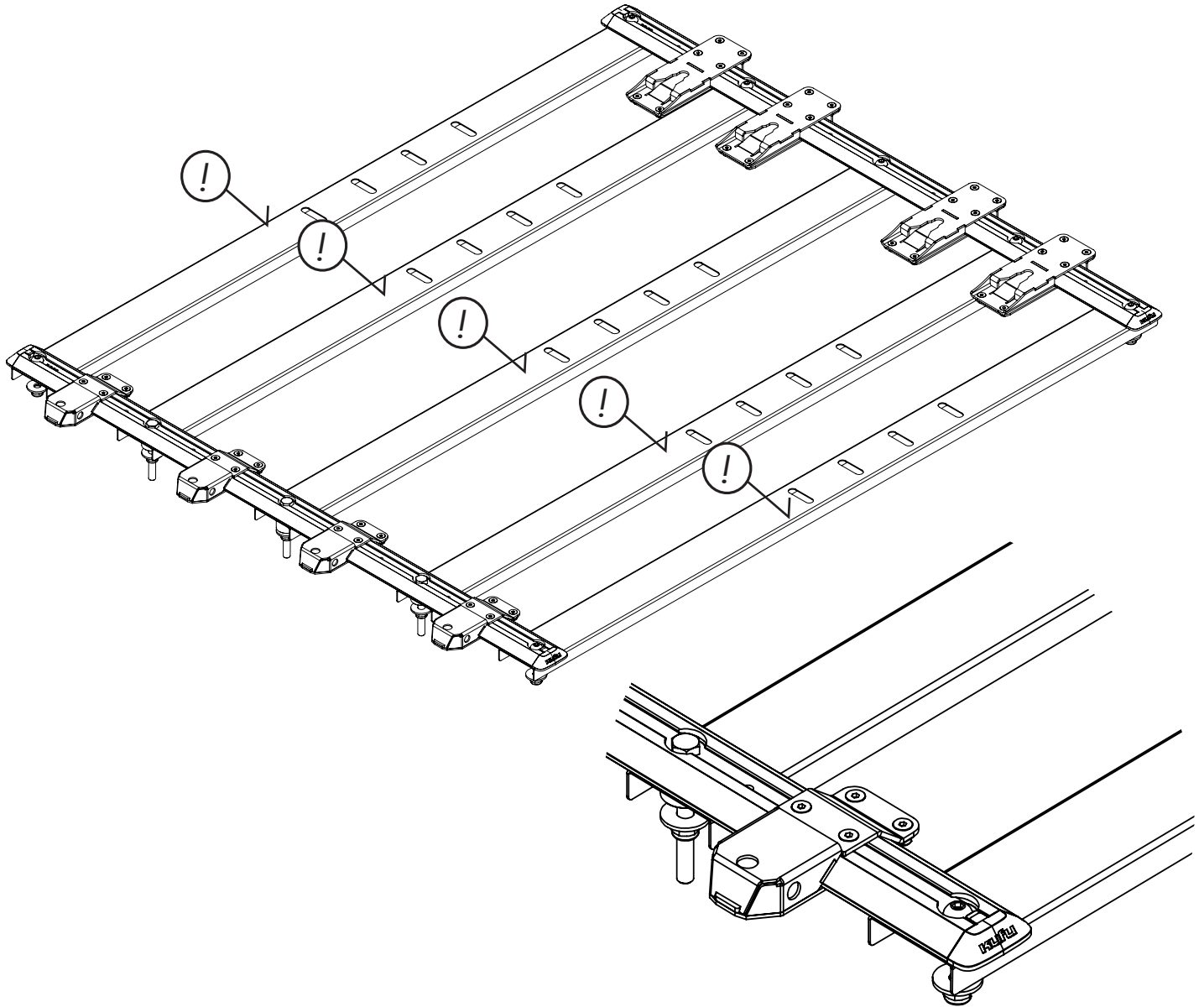
NOTE: B170 part label should be positioned at the tailgate end.



**STEP 14 - Secure the 1400 Mounting Platform to the Ute Bed:**

Part Name	Item	Quantity
M10 x 60_Button Head Bolt	A	10
M10_Nut_Torque_SS304_DIN 985	B	10
10mm_Washer_Large_SS304_DIN 9021	C	10
M10 x 90mm Hex Bolt	D	5
M10 x 20mm Button head Bolt	E	2
Packing Disc 30mmOD x 20mm BK	F	2
Packing Disc 30mmOD x 10mm BK	G	14

- Position pre-assembled Rails above the B170 Rails, and align to the drilled holes.
- Use Spacer Discs under the B170 Rails and above the ute tub floor to level the Mounting Platform.
- Hand tighten using hand tools only.



### STEP 15 - Fasten the 1400 Mounting Platform to the Ute Bed:

- Securely tighten the fasteners using hand tools.
  - Do not overtighten. Stop before damaging or crushing the vehicle
- TIP: Check if the assembly requires Spacer Discs that prevent crushing or damage.



NOTE: B170 Rail should not bow or buckle or curve after tightening of fasteners. The B170 Rails should remain flat to allow the secure and reliable attachment of the KUFU Drawer System. Check to ensure the bed-liner does not interfere with rails and is not causing the rails to bend or curve.

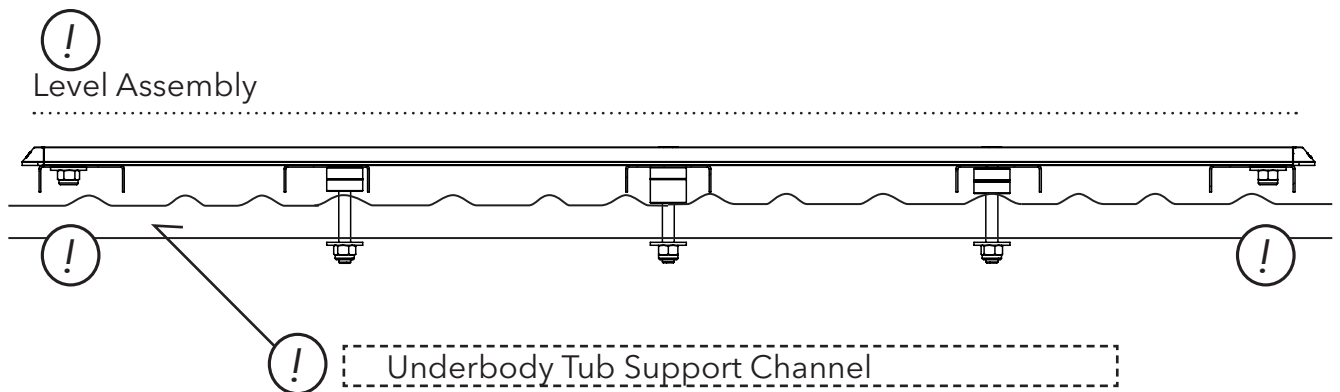
**STEP 16 - Check the Level :**

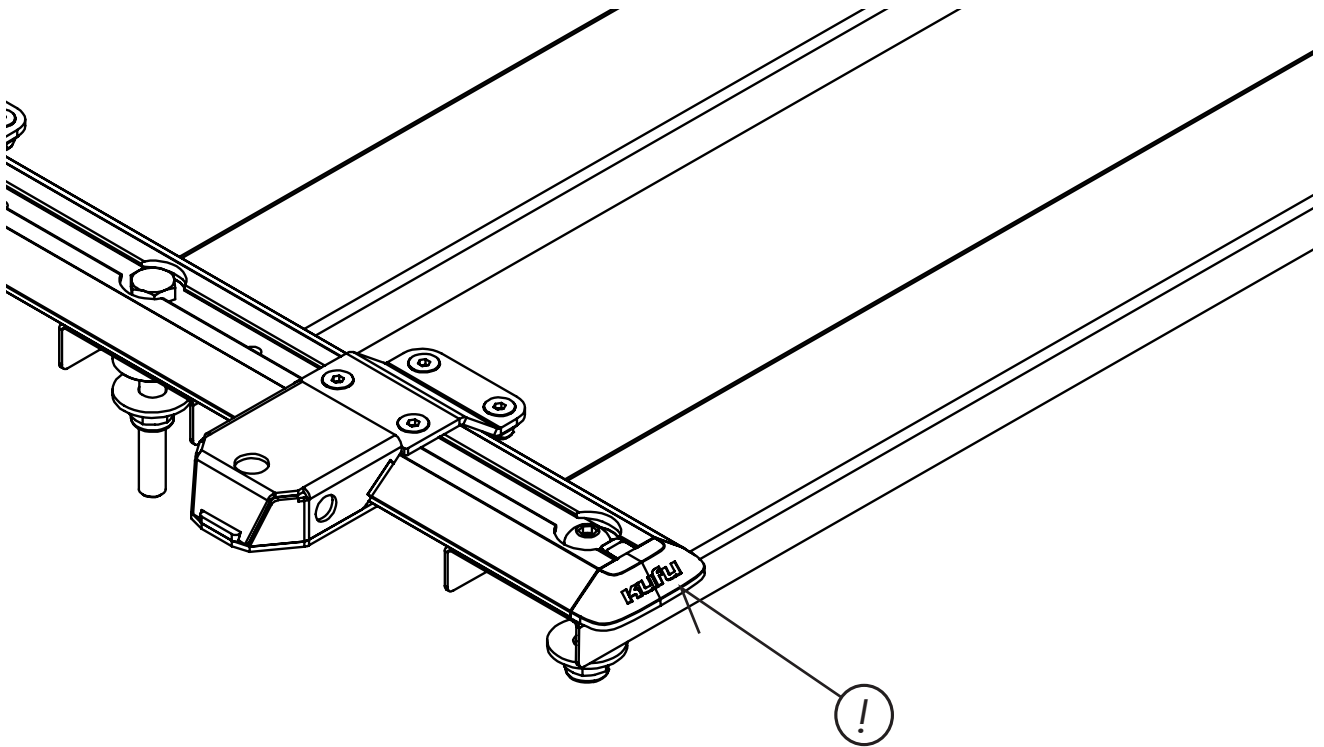
- Ensure the Rail Assembly are level across the floor of the vehicle.



NOTE: Some bolt down positions may require adjustment to make the assembly level.

See Mitsubishi Triton MY20 - Tailgate Position Example, Cross Section View below.





*STEP 17 - Assemble the End Caps, x4 positions*



## *KUFU Drawer System*

Designed in Australia

Impact Import Group Pty. Ltd  
153 Ash Road  
Leopold, VIC 3224  
[info@impactimport.com.au](mailto:info@impactimport.com.au)