



# KUFU System LC300 GRS Mounting Platform Install Guide

Version: 01

VEHICLE REFERENCE:

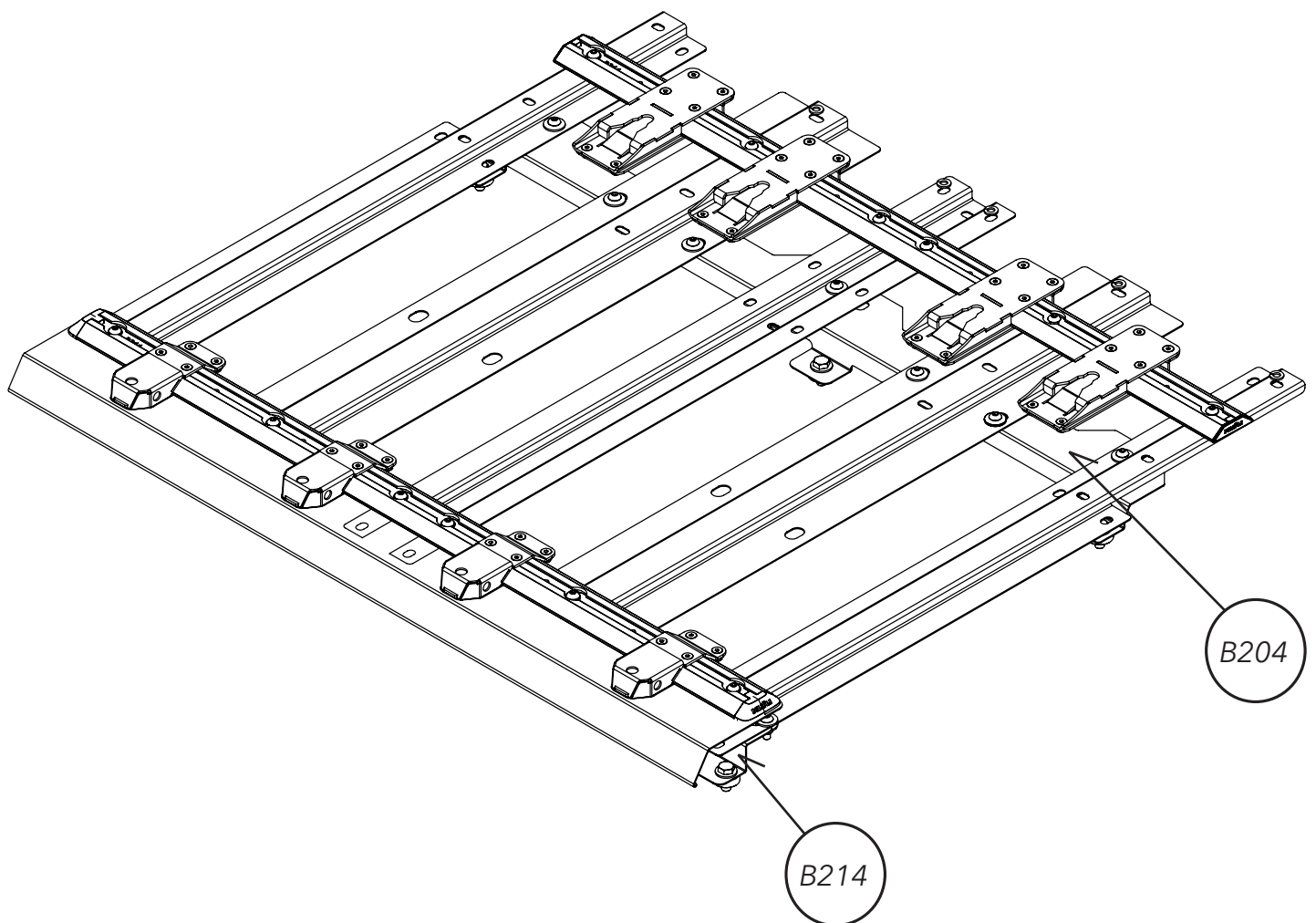
*Toyota Landcruiser 300 Series (LC300) GR Sport MY21, Australia*

### *Important Information:*

- This Installation Instruction Manual is for the accurate, safe and secure attachment of the 1050 SUV Mounting Platform, and Catch and Click Brackets to the vehicle.
- Open all kits to check that all parts are present.
- Follow all assembly steps in this Instruction Manual.
- Do not skip steps.
- Do not leave out fastener components from the installation steps.
- It is recommended to review the vehicle and crosscheck before making any modifications. Check to avoid damaging critical vehicle components within and beneath the vehicle.
- Use Spacer Disc parts provided or large washers to create a level installation.
- It is recommended to inform the insurance provider for the vehicle of any modifications and additions or accessories added to the vehicle, these may effect the ability to make claims depending on the level and or type of cover.
- The KUFU Drawer System and associated Mounting Platforms and Bracket Parts are designed for repeated use. However wear and tear will occur due to the nature of different materials in the assemblies and installations.
- Please Note: Additional brackets are required for different vehicle installations, please get in touch to check vehicle applicability.

*A KUFU System Mounting Platform installation for:  
Toyota Landcruiser 300 Series (LC300) GR Sport MY21*

*Shown below are vehicle bracket parts B204 and B214, these brackets suit the floor of the vehicle. Vehicle model variations may require alternative brackets and / or fasteners.*



**STEP 1 - Installation Preparation:**

- Remove 3rd row seats from the SUV or Wagon.
- Remove any seating hitch points, trim, trays, carpet and brackets from the floor of the vehicle.

**STEP 2 - Tools Required:**

- Hex Drive or Allen Key Set
- Socket Set or Spanner Set
- Utility Knife
- Tape Measure

**STEP 3 - Components:**

- LC300 GR Sport Mounting Platform Kit 1050 SUV

Part Name	Quantity
B204 LC300 MP Bracket Front	1
B214 LC300 MP Bracket Rear	1
B205 Trim_Full Width	1
B311 Mounting Rail	2
B111 Rail Bracket Left Hand Side	1
B112 Rail Bracket Centre	1
B113 Rail Bracket Right Hand Side	1
B151 Rail Bracket Wide	2
B402 Mounting Rail End Cap_Short	2
B403 Mounting Rail End Cap_Long	4
M8 x 25mm Button Head Bolt	24
M8 Spring Washer	12
B201 M8 Channel Nut	12
10mm_Washer_Large_SS304_DIN 9021	36
M10 x 25mm Bolt Fine Thread	8
M8 x Nyloc Nut	12

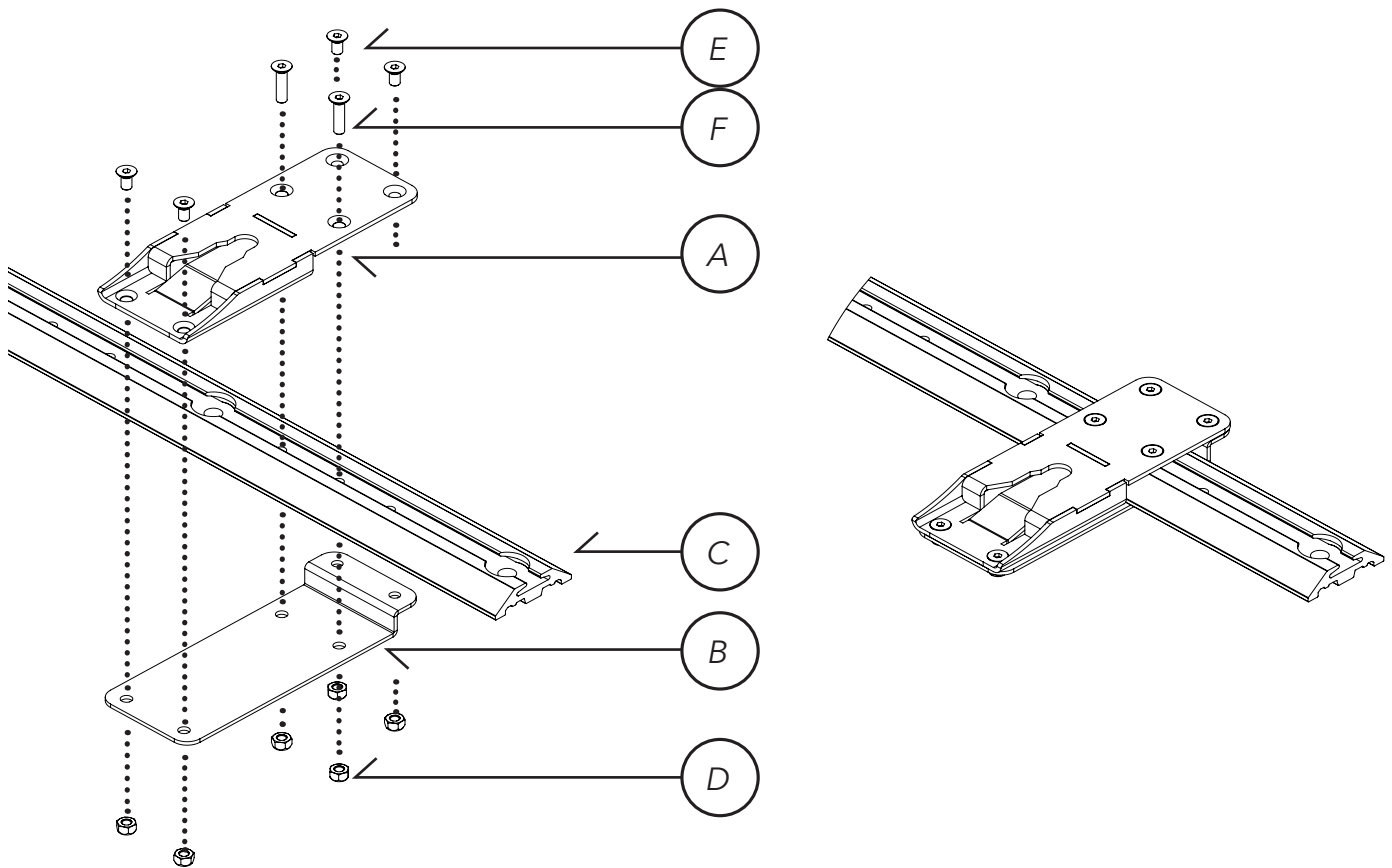
- B0093 Catch and Click Bracket Kit. Contents per Kit. 1x Kit required per Drawer

Part Name	Quantity
B0092 Click Bracket Assembly	2
B0090 Catch Bracket Assembly	2

- B0093 Fastener Pack - Contents per Kit. 1x Kit required per Drawer

Part Name	Quantity
M6 Nut_Conelock_High Tensile Class 10_ZN_DIN980	22
M6 x 12_CTSK_High Tensile 12.9_ZN_BK_DIN7991	14
M6 x 30_CTSK_High Tensile 12.9_ZN_BK_DIN7991	8

- NOTE: Every KUFU Drawer or Accessory requires a Catch and Click Bracket set to secure the product to the vehicle. KUFU System Products can be attached to a Mounting Platform or Stacked above other KUFU products, make sure you have the required amount of Catch and Click Brackets for your installation.



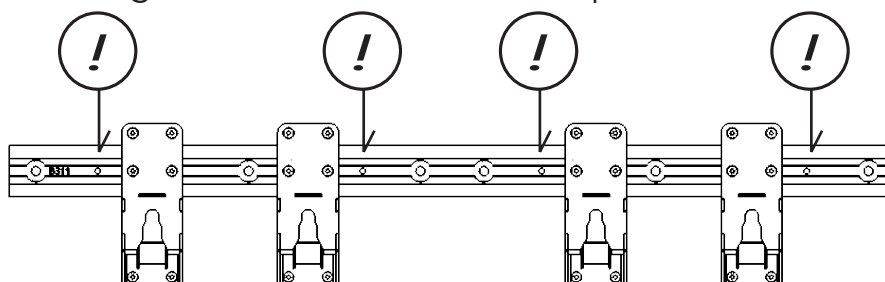
**STEP 4 - Catch Brackets Assembly:**

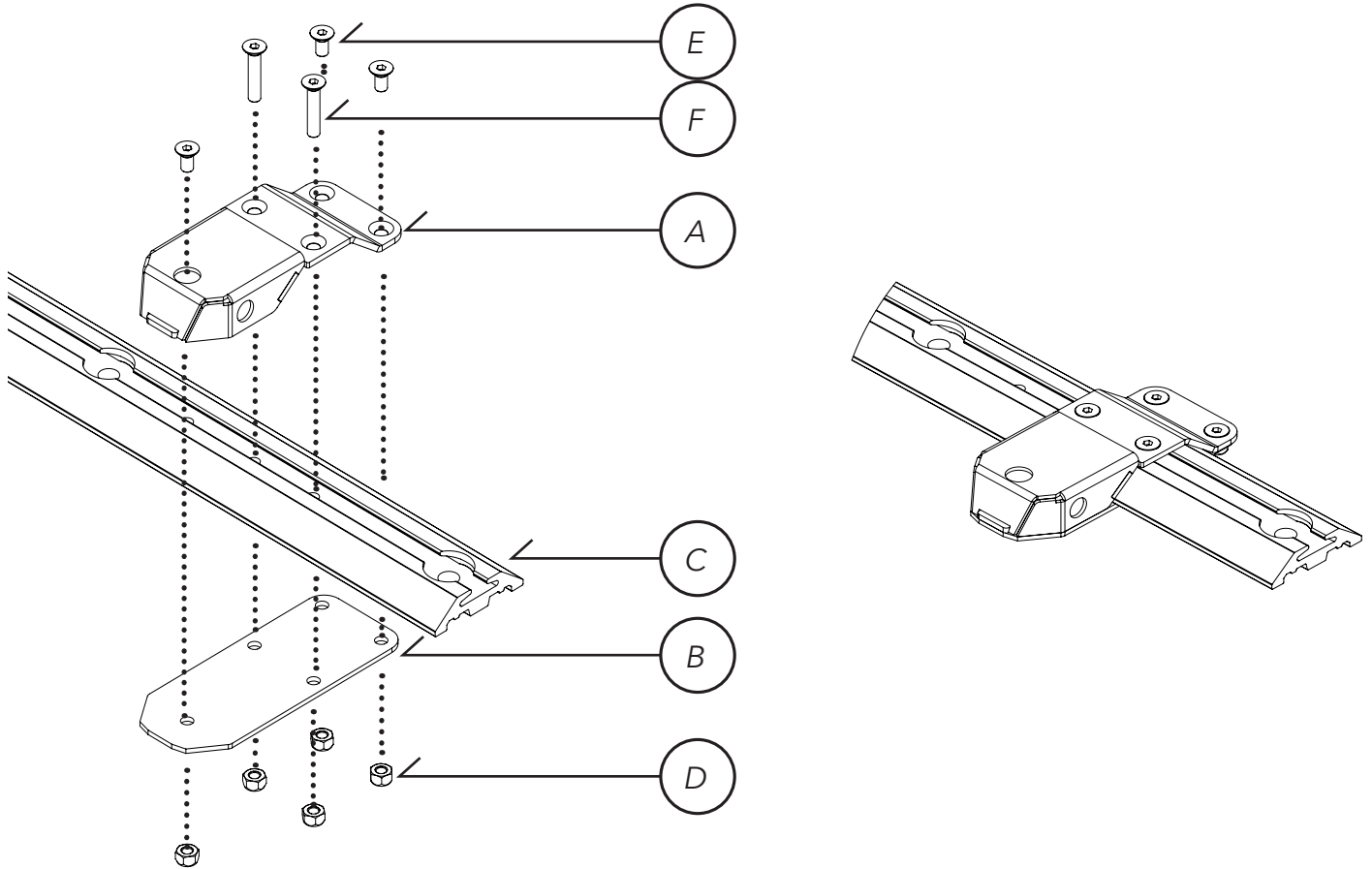
- Securely Assemble the Catch Brackets to the B311 Rail
- Catch Bracket, Single Assembly shown above in exploded view.

Part Name	Quantity	Item
Catch Bracket, Upper	1	A
Catch Bracket, Lower	1	B
B311 Rail	1	C
M6 Nut_Conelock_High Tensile Class 10_ZN_DIN980	6	D
M6 x 12_CTSK_High Tensile 12.9_ZN_BK_DIN7991	4	E
M6 x 30_CTSK_High Tensile 12.9_ZN_BK_DIN7991	2	F

- Check and ensure all brackets are 90degrees to the rail.
- Tighten the Catch Bracket Assembly in all positions shown below. Use hand tools to securely tighten all fasteners.

NOTE: The Catch Brackets use 2 of 3 holes along the rail in each position, note the remaining holes as a guide of the Catch Bracket positions.





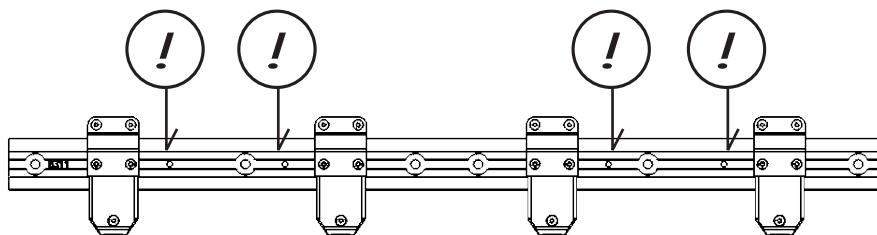
**STEP 5 - Click Brackets Assembly:**

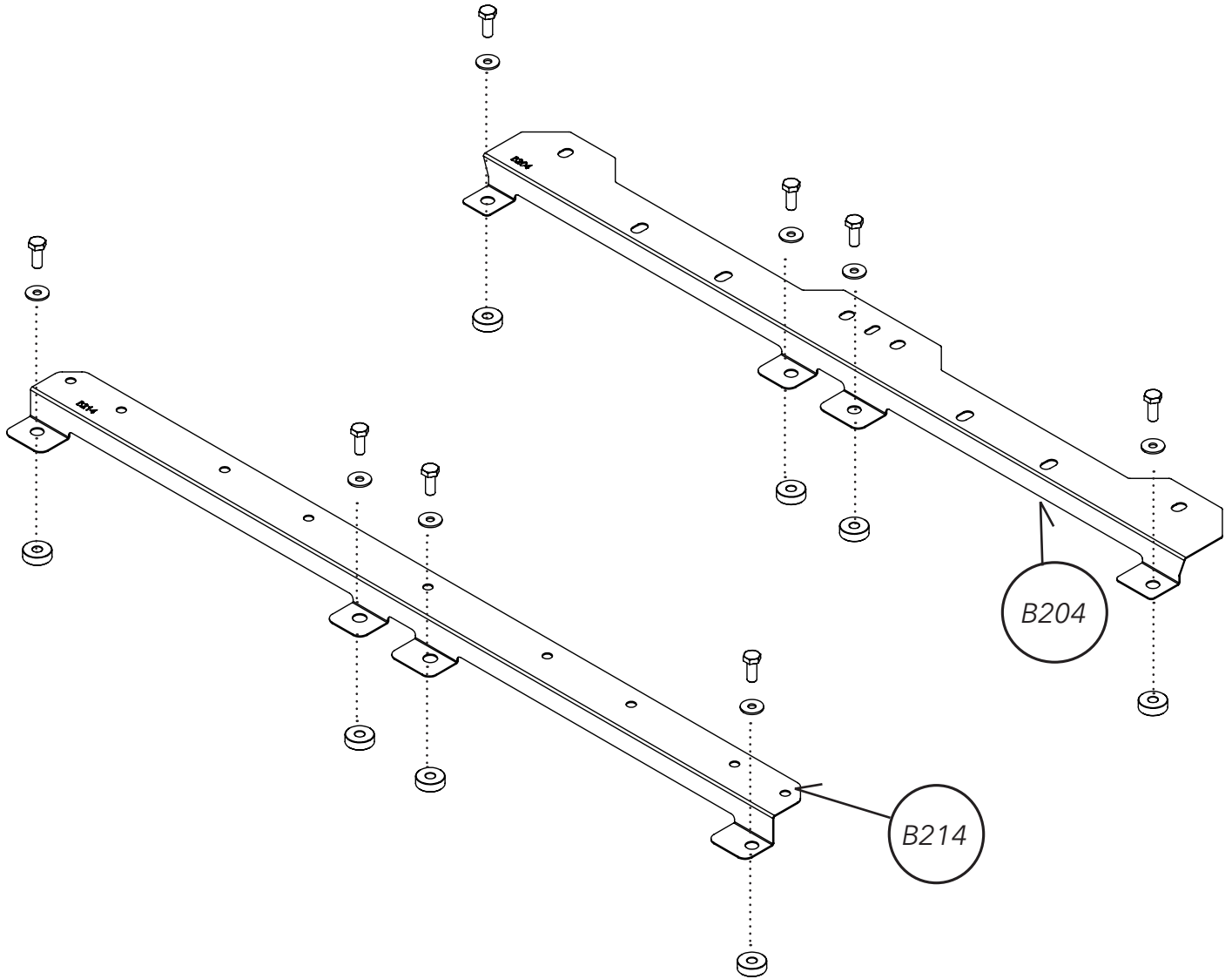
- Securely Assemble the Click Brackets to the B311 Rail
- Catch Bracket, Single Assembly shown above in exploded view.

Part Name	Quantity	Item
Click Bracket, Upper	1	A
Click Bracket, Lower	1	B
B311 Rail	1	C
M6 Nut_Conelock_High Tensile Class 10_ZN_DIN980	5	D
M6 x 12_CTSK_High Tensile 12.9_ZN_BK_DIN7991	3	E
M6 x 30_CTSK_High Tensile 12.9_ZN_BK_DIN7991	2	F

- Check and ensure all brackets are 90degrees to the rail.
- Tighten the Click Bracket Assembly in all positions shown below. Use hand tools to securely tighten all fasteners.

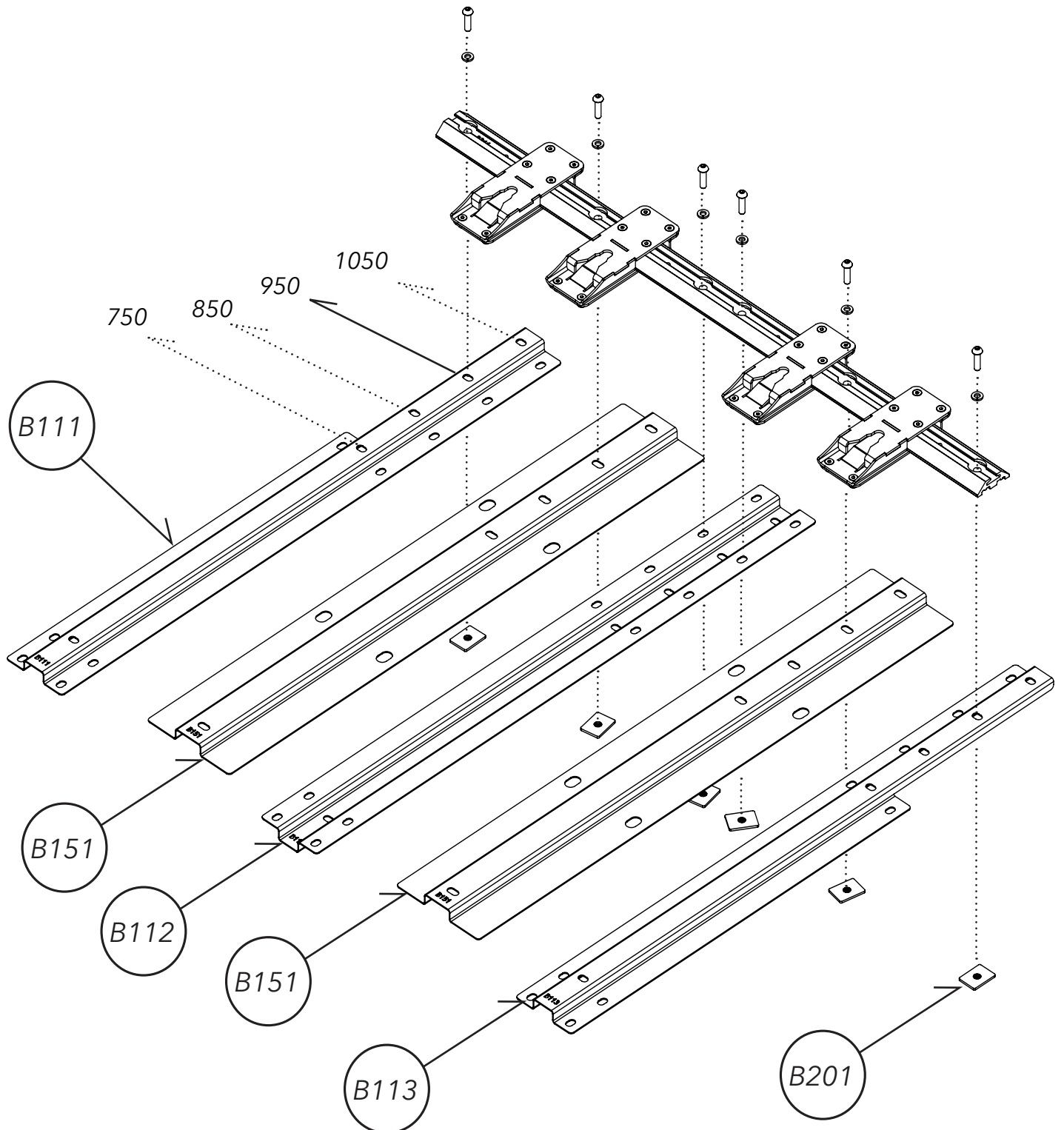
NOTE: The Click Brackets use 2 of 3 holes along the rail in each position, note the remaining holes as a guide of the Click Bracket positions.





**STEP 6 - Vehicle Floor Bracket Assembly:**

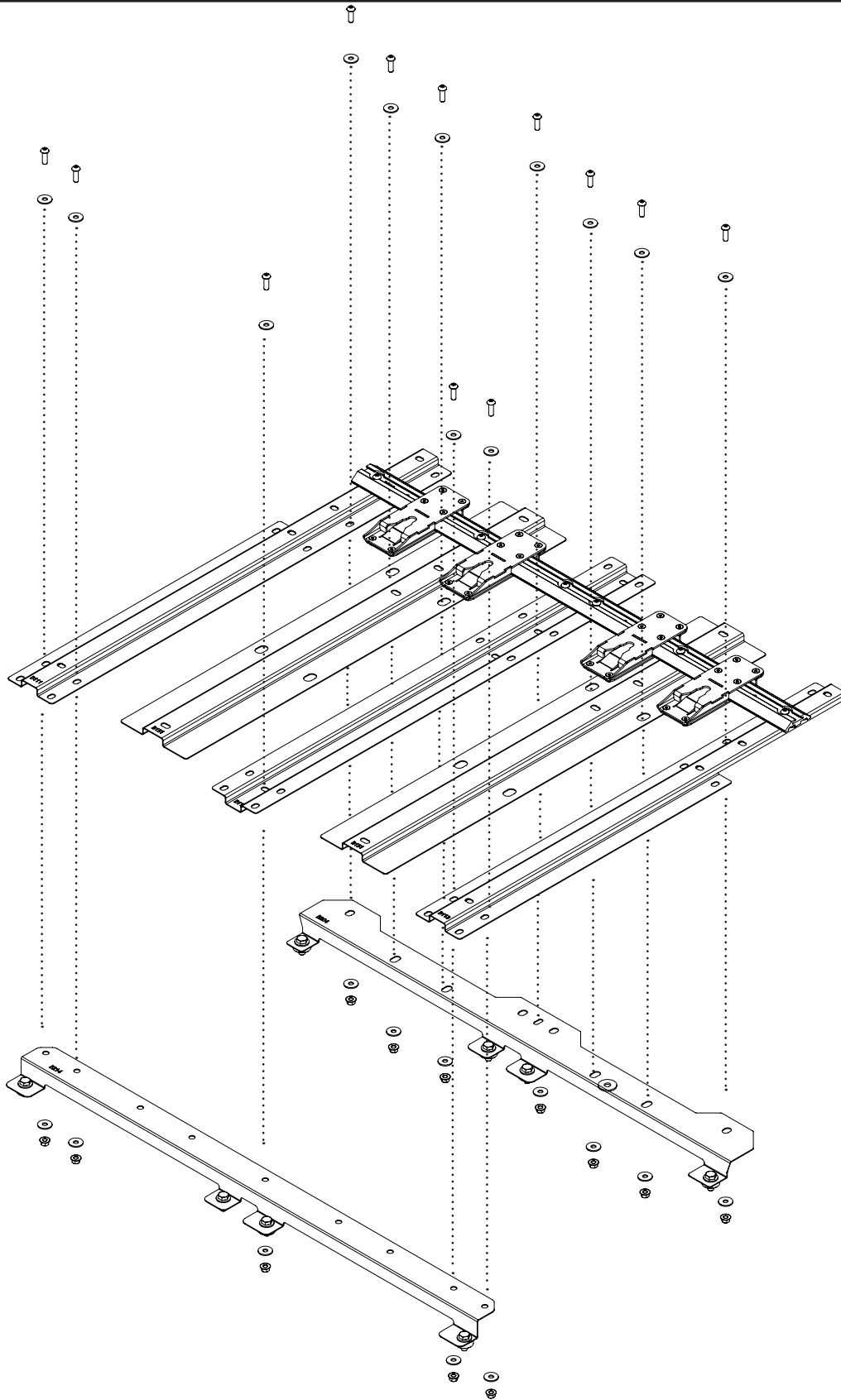
- Install the Custom LC300 Bracket to the forward position of the vehicle.
- Securely attach brackets to the vehicle, using Spacer Disc underneath the bracket to keep it flat when fasteners are tightened. Use washers underneath the bolt heads to secure the bracket in position. Hand tighten only.
- Review the hole alignment of the brackets to the vehicle floor.
- **IMPORTANT:** Ensure to check and cross-check that all custom brackets are flat to the vehicle floor, and NOT twisted or warped. Look along the top surface of the custom brackets to check the level.
- **NOTE:** Some vehicle models will not have all corresponding bracket holes. If there are missing threaded mounting holes in the floor of the vehicle, due to model variations, consider alternative mounting options for custom brackets.



**STEP 7 - Partial Assembly of the Mounting Platform Frame:**

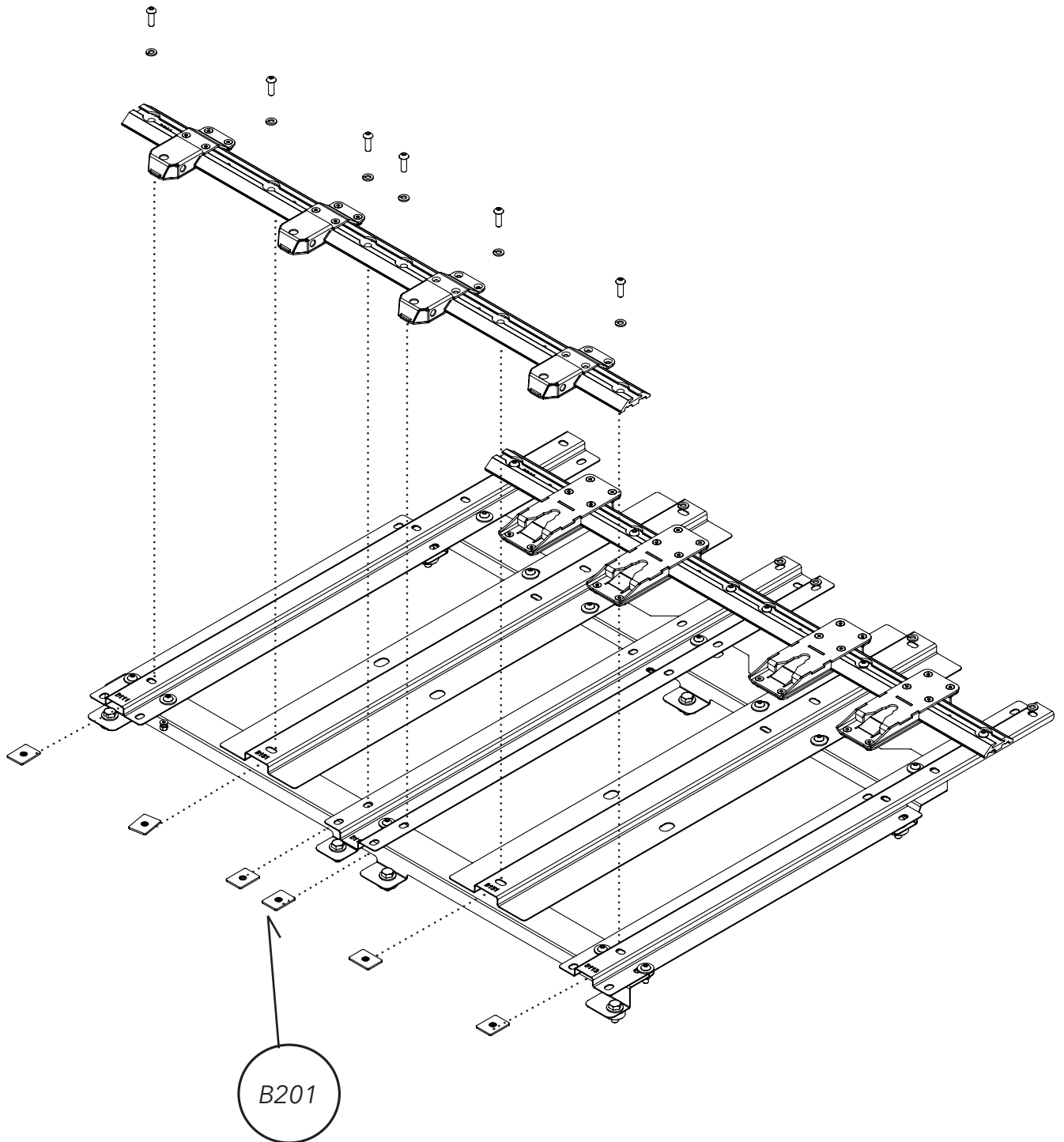
- Use M8 x 25 Button Head bolts and M8 Spring Washer passing through the Rails to each Bracket. Place the B201 M8 Channel Nut, flat side up toward the bracket.
- Secure the Rail with Catch Brackets into the corresponding hole positions for the Drawer depth you are planning to install: 750, 850, 950 or 1050 Drawer Sizes.
- Loosely secure the parts to allow for alignment adjustments.





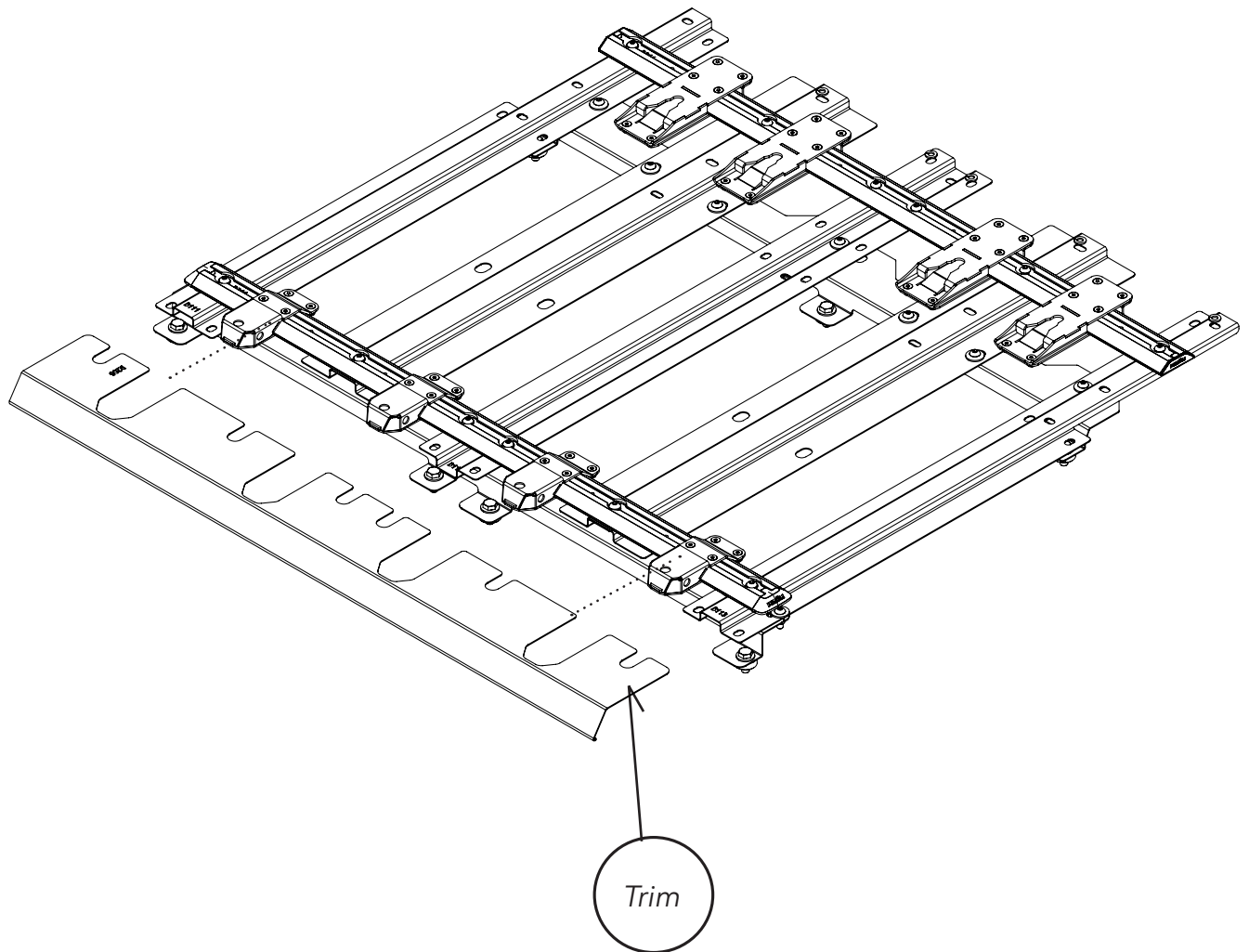
*STEP 8 - Assembly of Mounting Platform to Vehicle Floor Brackets*

- Use fasteners M8 x 25mm Button head bolts AND Large Washer to attach the partial assembly of the Mounting Platform to the Vehicle Floor Brackets. Use large washers and M8 Lock Nut on the underside of the Floor Brackets.
- Do not tighten fasteners.



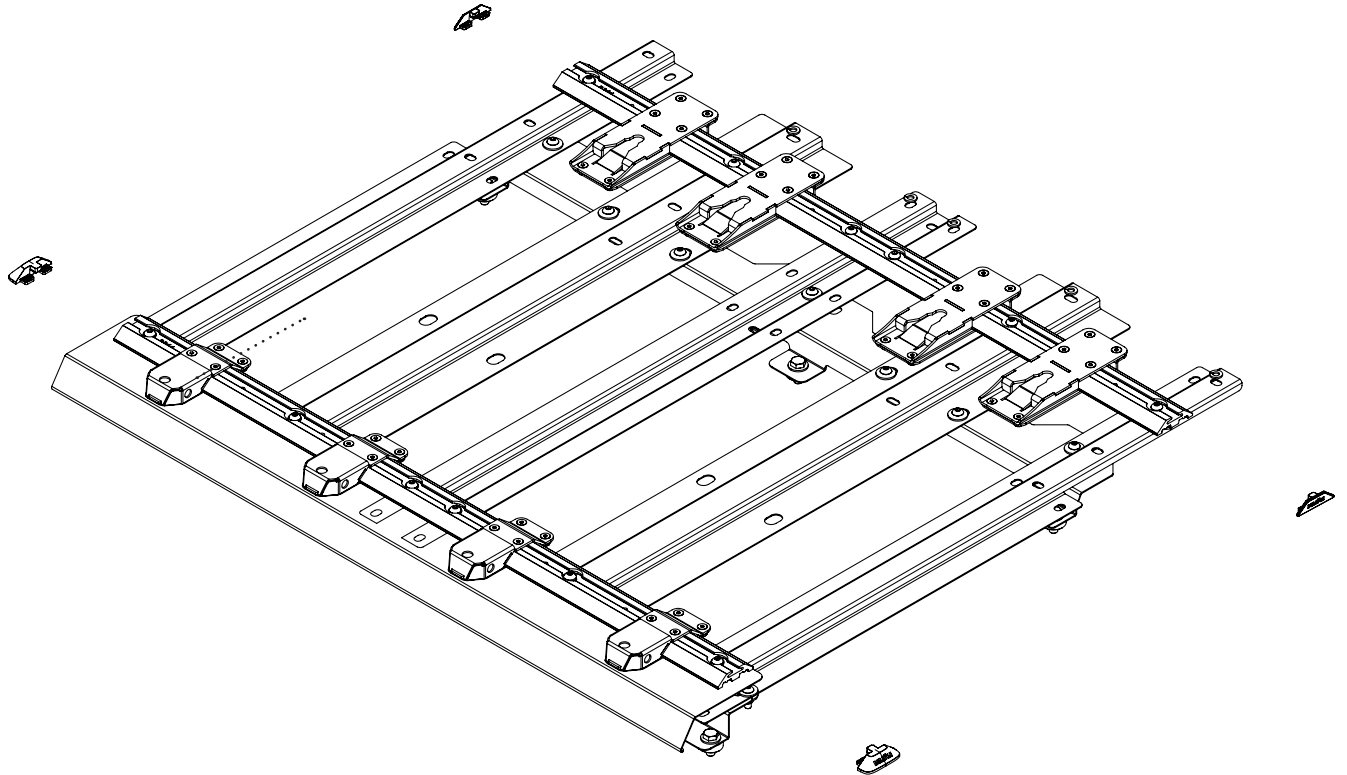
*STEP 9 - Mounting Platform Assembly, Continued...*

- Use fasteners M8 x25mm Button Head Bolt AND M8 Spring Washer to attach the partial assembly of the Mounting Platform to the Vehicle Floor Brackets.
- Use the B21 M8 Channel Nut under the Mounting Platform brackets
- Slide the B21 M8 Channel Nut into the channels, with the flat side facing up.
- Do not tighten fasteners.



### STEP 10 - Trim Assembly

- The Front Rail with Click Brackets pre-assembled should be loose enough to slide the Full Trim underneath.
- Align the cut outs to the Click Brackets. Loosen to ensure the Trim fits all the way in to position.
- NOTE: Check that both Front and Rear Rails are parallel, and check that the installation is flat, without any warping.
- Securely tighten all fasteners, using hand tools only.
- Recheck that the installation is flat and the Front and Rear Rails are aligned.



### STEP 11 - End Caps

- Assemble the End Caps B402 and B403 into the ends of Front and Rear Rails.

## *KUFU Drawer System*

Designed and Developed in Australia

Impact Import Group Pty. Ltd  
153 Ash Road  
Leopold, VIC 3224