

# TEDPoP® ROOFTOP TENT INSTRUCTION MANUAL



REV01 (23.12.01)

[www.tedsoutdoor.com](http://www.tedsoutdoor.com)

**01**

**Product Specifications**

**02**

**Installation**

**03**

**How to Set Up**

**04**

**How to Close**

**05**

**Safety Information**

**5-1**

**Troubleshooting**

**06**

**Important Information**

**6-1**

**Warranty**

**07**

**What's Included**



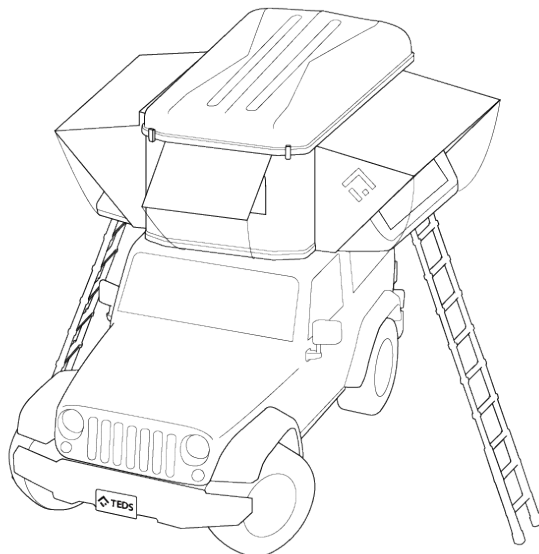
## Description

TEDPoP® The Dual Expandable Rooftop Tent adopts premium fabric, so it has high air permeability and provides a sense of spaciousness even when 3 to 4 people lie down.

The floor material is designed for pleasant camping and safety of our precious family by blocking condensation on the floor with a honeycomb triple layer structure that withstands high loads.

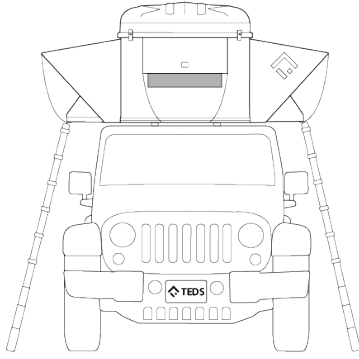
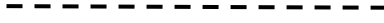
## Specifications

- ❖ Sleeps 4
- ❖ Dual expandable panels provide generous space and 360° all-around view
- ❖ Comfortable sleep with premium mattresses
- ❖ Anti-condensation technology
- ❖ Excellent stability due to center of gravity being located in the center
- ❖ Floor Material: aluminum Honeycomb
- ❖ Fabric: canvas (Cotton/Polyester), Rain Fly (100% Polyester)
- ❖ Hard shell cover: ABS (UV blocking functional resin)
- ❖ Waterhead rating: water-repellent coating (canvas body), water resistance 3000mm (rain fly)
- ❖ Mattress: high-density foam mattress (2.5" / 6.3 cm thick)
- ❖ Weight: approx. 85 kg / 187 lbs
- ❖ Setup Time: 5 minutes or less
- ❖ Warranty: 2 years
- ❖ Country of Manufacture: South Korea



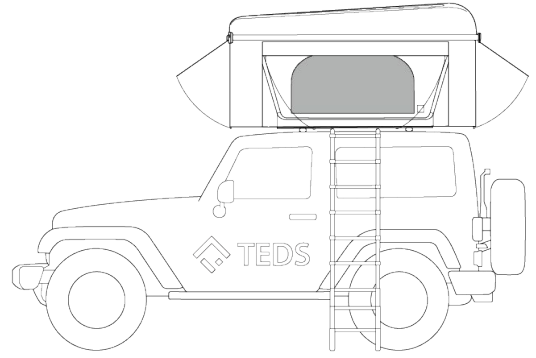
## Open Dimensions

320 cm / 120"



115 cm / 45"

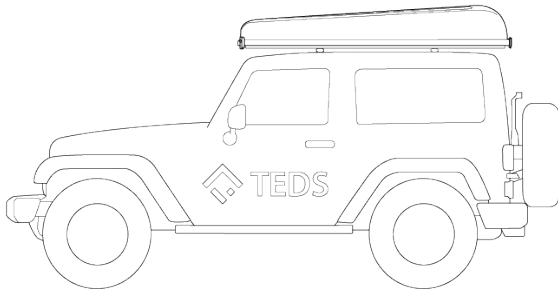
280 cm / 110"



115 cm / 45"

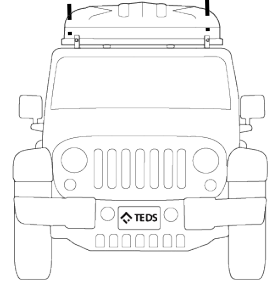
## Closed Dimensions

227 cm / 89"



36 cm / 14"

125 cm

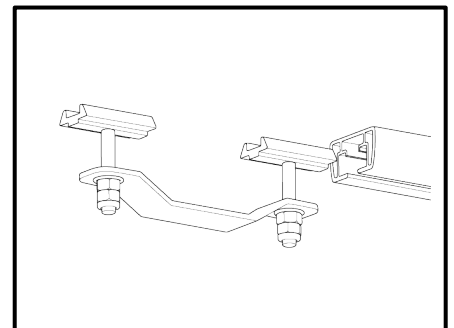
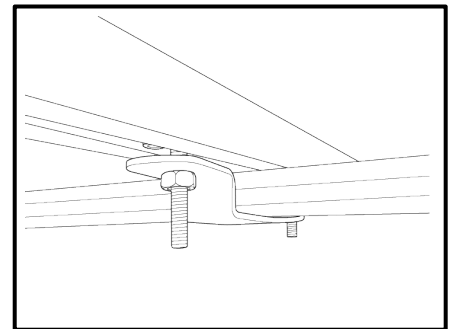
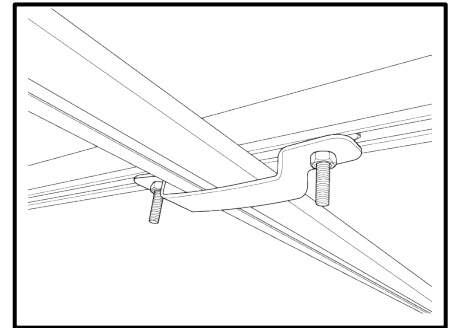
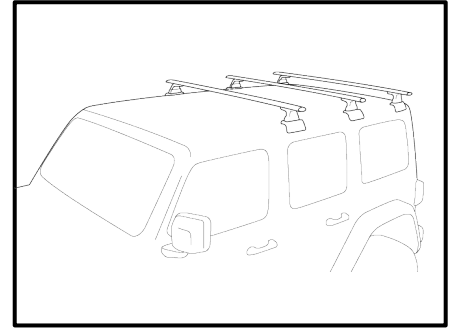


36 cm / 14"

# Installation

1. Ensure your roof rack is suitable for the rooftop tent. Feel free to reach out to your nearby retailer for additional details.  
✘ Suggested crossbar weight limit: no less than 90kg
2. For correct weight distribution, position your crossbars around 100cm apart (with a minimum of 50cm from the center).
3. Balancing the tent evenly on the crossbars is advisable. Excessive front weight can result in tent movement during transit.
4. Insert the M8 hexagonal bolts into the rails, with one on either side of your crossbar.

(Refer to Image 1).

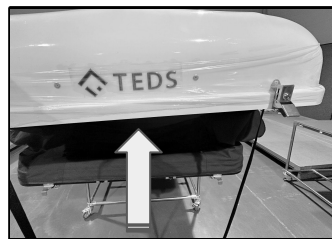


# How to Set Up

1. Unlock 2 locking latches in the front with a key and push up the middle part of the hardshell.



2. Pull down the latches on the rear side and slightly push up the hardshell.



3. Unfold extension panel on each side.



4. Unlock buckles on each side of extension panel.



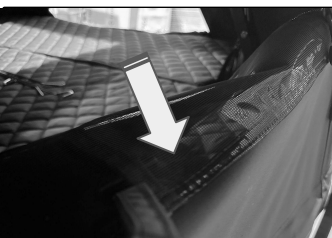
5. Pull the zipper down on the each corner of the tent and attach velcro strips.



6. Fasten the separately stored ladder to the connecting ring of the extension plate and unzip the tent entrance.



7. Take out spring rods from the pouch near entrance and attach them to the designated hole on each side of extension panel and canopy inside.



## IMPORTANT!

Please use spring rods pockets as below:



When using S-Annex

When not using S-Annex

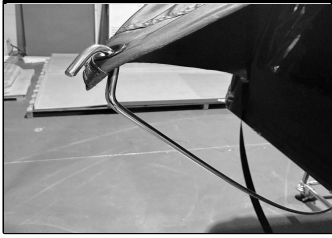
## IMPORTANT!

If you purchased extra ladder, place 1 ladder on each side of extension panel. If you did not purchase extra ladder, use the rod instead for extra support and stability.

\*To avoid issues, do not lay or sit on the extension panel without having a rod or ladder as support.

# How to Close

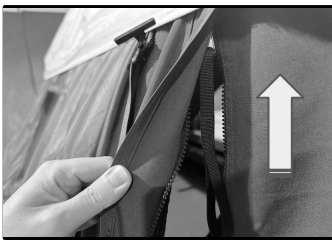
1. Remove all spring rods from Canopies and store rods in designated pouch.



2. Zip up all windows and entrances and remove all ladders or telescopic pole and store them separately.



3. Undo the velcro and open up the zipper on each side of the tent.



**IMPORTANT!**

Do not store any ladders or telescopic poles inside the tent as it may cause severe damages to the tent!

4. Lock in buckles on each side of extension panel and fold in panel on each side of the tent.

**IMPORTANT!**

Do not fold in the extension panel without unzipping all zippers as it may damage the tent fabric!



5. Pull down a strap on rear side of the tent in the middle and once hardshell comes down, fixate it by locking the latches.



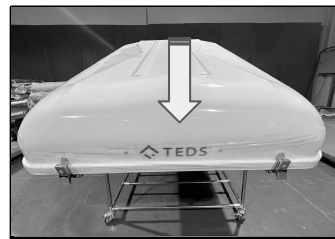
**IMPORTANT!**

Make sure that you can see the gas strut link after folding in panels to ensure that tent closes properly.

6. Pull down a strap on front side of the tent in the middle and once hardshell comes down, fixate it by locking the latches and lock it using the key.

**IMPORTANT!**

Make sure to put the strap and any fabric that sticks out inside of the hardshell as it may damage the fabric or not close properly.



**IMPORTANT!**

Be sure to double-check if the tent was locked properly by lifting all 4 corners of the hardshell to make sure it is locked. Otherwise, there is a risk of tent opening during driving.

## Important Information

1. Always make sure the tent is thoroughly dried before sealing it shut. If this is not feasible, promptly open it upon reaching your home or next destination. Storing a damp tent can encourage mold growth.
2. For extended periods of non-use, it is advisable to keep the tent indoors. When storing indoors, position the tent on a cushioned surface, away from heavy foot traffic and debris.
3. To maximize its lifespan, it is recommended to perform an annual cleaning and treatment of your tent.
4. Avoid leaving the tent exposed for extended periods where it might be vulnerable to damage from insects, rodents, or moisture.
5. Keep children away from stored tents and ensure they cannot accidentally tip them over.
6. Regularly inspect the hardware for signs of rust and replace when necessary.
7. When operating the tent's opening and closing mechanisms, avoid using excessive force that could lead to damage. Always inspect the components if anything appears or feels unusual. Metal components may require cleaning with a brush or soft cloth to maintain proper functionality.

## Troubleshooting

In the event of tent malfunction:

1. Examine if the fabric has become entangled in the support poles.
2. Inspect for any air leakage in the gas strut. If a replacement is necessary, uninstall it by releasing both ends connected to the tent. Contact us for further assistance.



## Safety Information

1. Limit your driving speed to under 70mph (110kmh), in compliance with traffic laws.
2. Conduct frequent checks on your tent for any damage and confirm it's firmly fixed to your vehicle's cross bars.
3. In case of any noticeable damage to the tent or its parts, refrain from using it and get in touch with us for assistance.
4. Be vigilant about the mounting of your roof racks or cross bars. Improper installation can lead to dangerous situations on the road.
5. Always refer to your vehicle and roof rack instruction manuals for proper use and keep these manuals in your vehicle.
6. Avoid using bleach or harsh chemicals on your tent or vehicle.
7. Pay attention to your vehicle's increased clearance height with the tent installed. Watch out for low-clearance areas, overhanging obstacles, and other potential risks.
8. Expect additional wind noise while driving with the tent. Remove the tent before using any automated car wash facilities.
9. Use the ladder provided with the tent carefully. Children should not use the ladder without adult supervision. If the ladder hooks are worn or damaged, please contact us for replacements.

## Warranty

The provided warranty from the manufacturer is effective for a period of **2 years for rooftop tent, and for period of 1 year for accessories (S-Annex, shoe rack, ladder cover, etc.,** addressing any defects in manufacturing under normal usage conditions.

This warranty is applicable solely to the initial purchaser and is contingent upon compliance with the guidelines and suggestions outlined in this document. Please note, the warranty does not extend to items purchased second-hand.

## What's Included

1. TEDPoP Rooftop Tent x1
2. Telescopic Ladder x1 (2.3m / 90")
3. Telescopic pole **or** telescopic ladder x1
4. Mounting Bracket Set x1
5. Tension Pole x8
6. High-density foam mattress
7. Wrench
8. Keys x2
9. Instruction Manual